

Barrier Strip Filtered Terminal Block

The barrier strip filtered terminal block is designed to provide excellent EMI/RFI filtering of AC and DC power and control lines. This terminal block is available in various sizes, with terminals for soldering or spade lugs. Application examples include filtering power supplies in telecommunications equipment, metering, industrial controls, instrumentation, and electronic processing equipment.

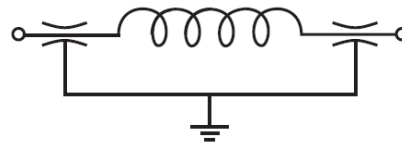
Features

- UL recognized and CSA approved for DC voltages
- E133076, UL 1059
- LR92537, CSA STD 22.2 N°158-1987, and ECN584B
- Filter element provides high insertion loss for EMI/RFI filtering of AC and DC power and control lines
- Rugged construction provides protection to filtering element; especially useful for repeated changes in wiring or field connections
- 2 to 6 terminals available (combine if larger number of terminals needed)
- Cost-effective solution for industrial interconnection EMI filtering problems
- Termination options available: straight lead, male or female disconnects, pigtail (12 AWG = 0.081" (2.05mm); 22 AWG = 0.025" (0.64mm))
- RoHS compliant versions available



Circuit Schematic

Pi Filter



Mechanical Specifications

- Center Spacing* 438" (11.1 mm)
- Wire Size* AWG #12 max for 20A
- Screw Size* 20A - #6-32, zinc-plated philslot screws
- Molded Material* Black, UL rated 94VO thermoplastic
- Tightening Torque* 9 in.-lbs. max.
- Terminal* Brass, tin-plated

Electrical Specifications

- Operating Temperature* -55° C to 105° C
- Working Voltage* 100VDC
- Capacitance* 2,500 pF to 5,200 pF
- Dielectric Withstanding Voltage* 1700VDC
- Current Rating* 20A
- D.C. Resistance* 01 ohms max.

Typical Loss (dB) In 50 Ohm Circuit

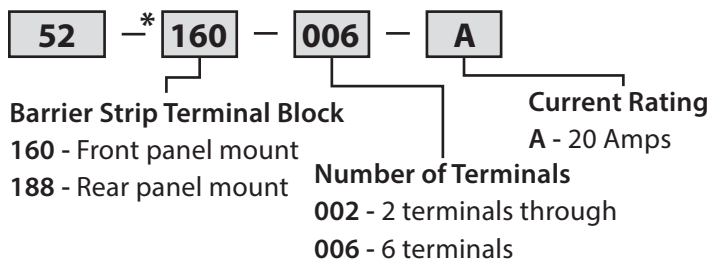
Frequency	Insertion Loss (dB)
30 MHz	22
50 MHz	32
100 MHz	48
300 MHz	70
500 MHz	75
1000 MHz	75

Barrier Strip Filtered Terminal Block

Ordering Information

Example: 52-160-006-A A00

The part number shown represents a barrier strip terminal block with six terminals and rated for 20 Amps. Male disconnects (.250") are the method of termination.



For instructions on soldering to filter terminals, please refer to page 4.

* Replace "-" with "F" for RoHS complaint version

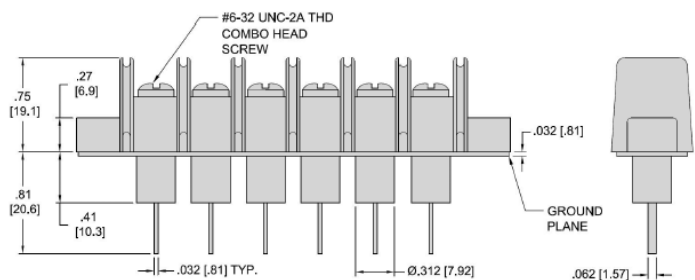
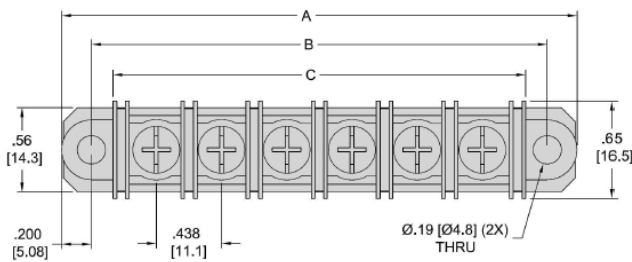
A00 Dimensions in inches (mm)

Special Terminations Code
 Note: Leave blank if ordering standard product.
 Male quick disconnects directly on terminal block.

A01 - .187 (4.8)
A00 - .250 (6.4)

Custom designs available.
 Contact APITech.

Front Panel Mount



20 Amps

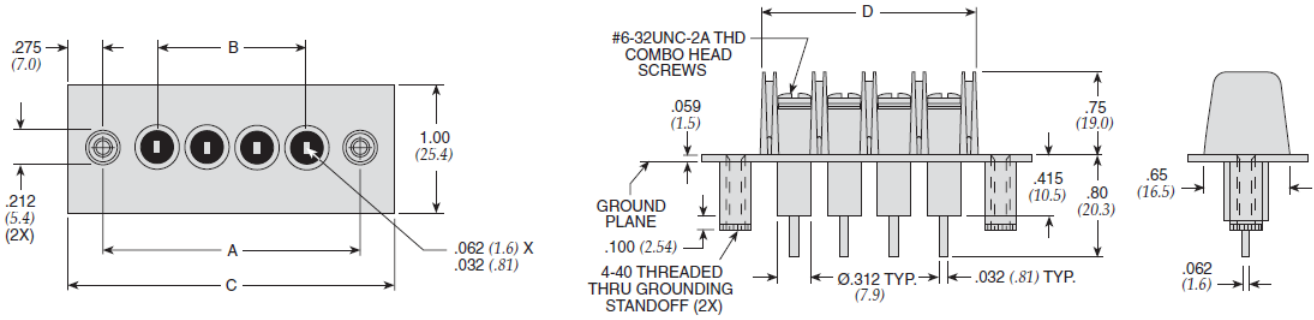
Dimensions in inches (mm)

Part Number	Number of Circuits	in. A (mm)	in. B (mm)	in. C (mm)
€ 52-160-002-A	2	1.71 (43.4)	1.31 (33.3)	1.02 (25.9)
52-160-003-A	3	2.15 (54.6)	1.75 (44.5)	1.46 (37.1)
52-160-004-A	4	2.59 (65.8)	2.19 (55.6)	1.90 (48.3)
52-160-005-A	5	3.02 (76.7)	2.62 (66.5)	2.32 (58.9)
52-160-006-A	6	3.46 (87.9)	3.06 (77.7)	2.77 (70.4)

€ Also available through APITech's authorized European distributors/agents.

Barrier Strip Filtered Terminal Block

Rear Panel Mount



20 Amps

Part Number	Number of Circuits	A		B		C	
		in.	(mm)	in.	(mm)	in.	(mm)
€ 52-160-002-A	2	1.71	(43.4)	1.31	(33.3)	1.02	(25.9)
52-160-003-A	3	2.15	(54.6)	1.75	(44.5)	1.46	(37.1)
52-160-004-A	4	2.59	(65.8)	2.19	(55.6)	1.90	(48.3)
52-160-005-A	5	3.02	(76.7)	2.62	(66.5)	2.32	(58.9)
52-160-006-A	6	3.46	(87.9)	3.06	(77.7)	2.77	(70.4)

Dimensions in inches (mm)

250 Volt AC Rated Filtered Terminal Blocks

APITech's line of filtered terminal block provides superior EMI/RFI filtering of AC power and control lines. This terminal block is available in various sizes, with terminals for soldering, spade lugs, or wire pigtails. Termination options available: straight lead male or female disconnects, or wire pigtails in lengths to your specification.

Features

- UL recognized and CSA approved for AC voltages
- E133076, UL 1059
- LR92537, CSA STD 22.2 N°158-1987, and ECN584B
- Termination options available: straight lead, male or female disconnects, pigtail (12 AWG-22 AWG)

Applications

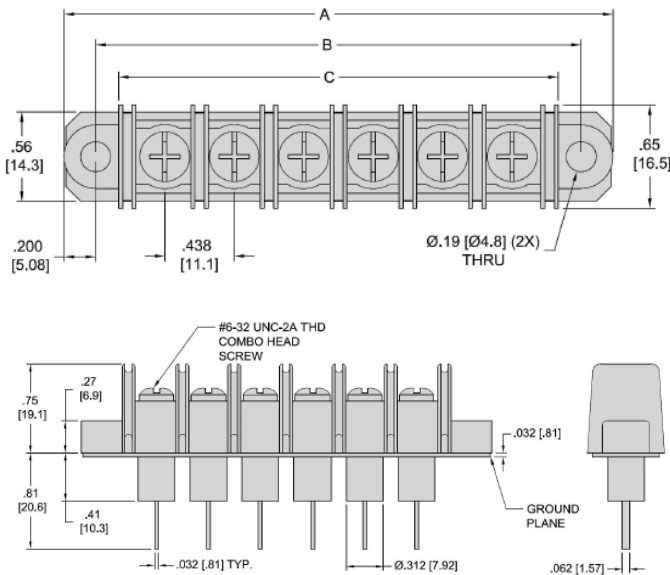
- Metering equipment
- Programmable controllers
- Industrial process control
- Heavy equipment controls
- Power supplies
- Regulators
- Surge sensing equipment
- Power factor correction
- Telecommunications power management, ATM, Sonet, etc.
- Medical equipment

Electrical Specifications

<i>Operating Temperature</i>	-55° C to +105° C
<i>Voltage Rating</i>	250VAC
<i>Current Rating</i>	20 Amps
<i>Wire Range</i>	12-22AWG
<i>Torque</i>	9 lb-in.
<i>Capacitance</i>	2000pF to 5200pF
<i>Dielectric Withstanding Voltage</i>	1500VAC @ 25° C

Mechanical Specifications

<i>Center Spacing</i>	.438" (11.1 mm)
<i>Wire Size</i>	AWG #12 max. for 20 Amp
<i>Screw Size</i>	20A - #6-32, zinc plated philslot
<i>Molded Material</i>	UL rated 94VO polyamide
<i>Tightening Torque</i>	9 in.-lbs. max.
<i>Terminal Options</i>	Straight lead, male or female disconnects, pigtail



Part Number	Number of Circuits	in. A (mm)	in. B (mm)	in. C (mm)
52-257-002	2	1.71 (43.4)	1.31 (33.3)	1.02 (25.9)
52-257-003	3	2.15 (54.6)	1.75 (44.5)	1.46 (37.1)
52-257-004	4	2.59 (65.8)	2.19 (55.6)	1.90 (48.3)
52-257-005	5	3.02 (76.7)	2.62 (66.5)	2.32 (58.9)
52-257-006	6	3.46 (87.9)	3.06 (77.7)	2.77 (70.4)

Dimensions in inches (mm)