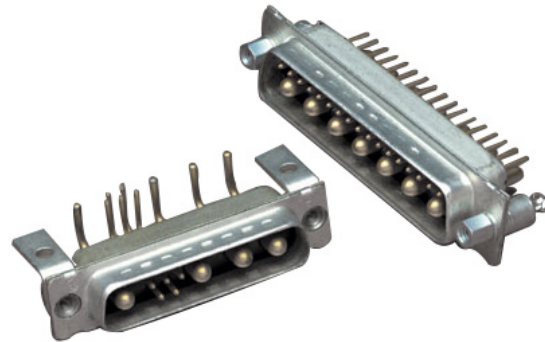


Filtered Combo D-Subminiature Connectors

APITech's line of EMI filtered combo D-subminiature connectors provide high insertion loss with capacitive filtering. These connectors are available with 20 Amp power contacts or 40 Amp power contacts. Configurations include male and female versions with straight PC terminals, right angle PC terminals, or solder cup terminals. Standard D-sub shell sizes provide intermateability with unfiltered connectors. High strength epoxy potting protects ceramic elements.

Capacitive filtering is available in 470, 820, 1000, and 1500 pF. Additional capacitance ranges and configurations can be provided upon request. Please contact APITech for additional information.



Applications

- Telecommunications base station equipment
- Switching and transmission equipment
- Power supplies
- Industrial equipment
- Computer work stations

Mechanical Specifications

<i>Shell</i>	Steel, tin plated
<i>Power Contacts</i>	Brass, gold plated .000030 in. (0.762 μm) minimum
<i>Signal Contacts</i>	Pin: brass, gold plated .000015 in. (0.762 μm) min. Socket: copper alloy, gold plated .000030 in. (0.762 μm) min.
<i>Insulator</i>	Glass-filled polyester, flammability UL94V-0
<i>Operating Temperature</i>	-55°C to +125°C
<i>Capacitors</i>	MLCC

Electrical Specifications

<i>Operating Voltage</i>	200 VDC
<i>Current Rating*</i>	40 Amp power/ 5 Amp signal
<i>Insulation Resistance</i>	1 Gohm at 100 VDC
<i>Capacitance</i>	See below for MLCC values. For other capacitance values contact factory

Dielectric Withstanding Voltage 600 VDC

*** 30 Amp available. Consult APITech.**

Ordering Information



A: Pin - PCB Power	03W3 = 3W3
B: Pin - Right Angle Power	05W5 = 5W5
C: Pin - Solder Cup Power	09W4 = 9W4
G: Socket - PCB Power	24W7 = 24W7
H: Socket - Right Angle Power	
J: Socket - Solder Cup Power	
N: Custom Combination	
* Insert "F" for RoHS compliant	

Capacitance Value	101 = 470 pF
	102 = 820 pF
	103 = 1000 pF
	104 = 1500 pF

Options
See options descriptions on page 24 add suffix ending

LI = 4-40 UNC inserts

LIM = Metric M3.0 self-locking threads

GB = Metal bracket provides ground connection, includes 4-40 self-locking threads (for right angle mount only)

GBL = Grounded board lock (right angle)

GBL6 = for .062" boards (straight PCB mount)

GBL9 = for .093" boards (straight PCB mount)

50G = 50 μ (1.27 μm) gold plating

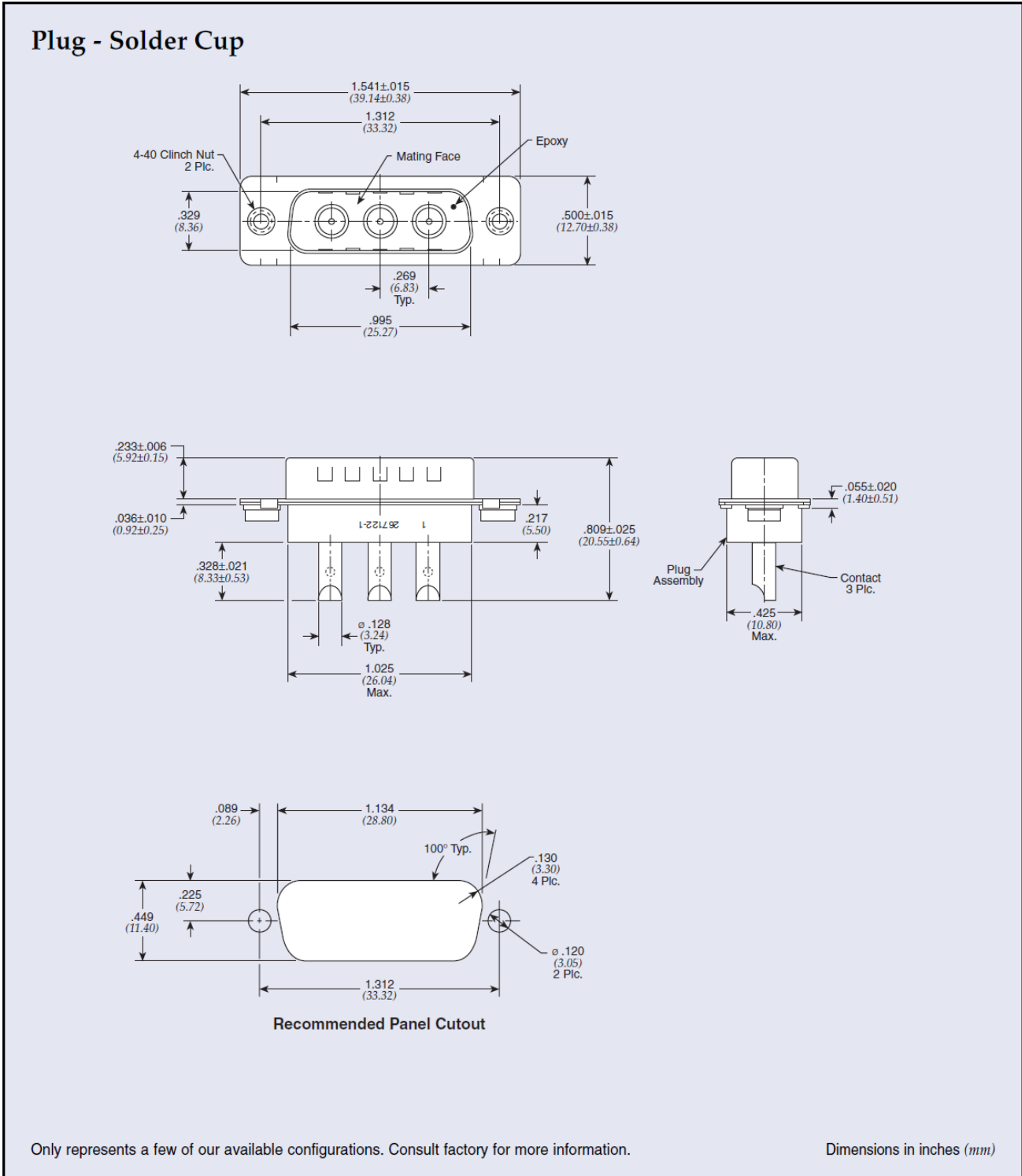
S = Solder dipped tails

JS = Jackscrew mounting

For option combinations, consult APITech.

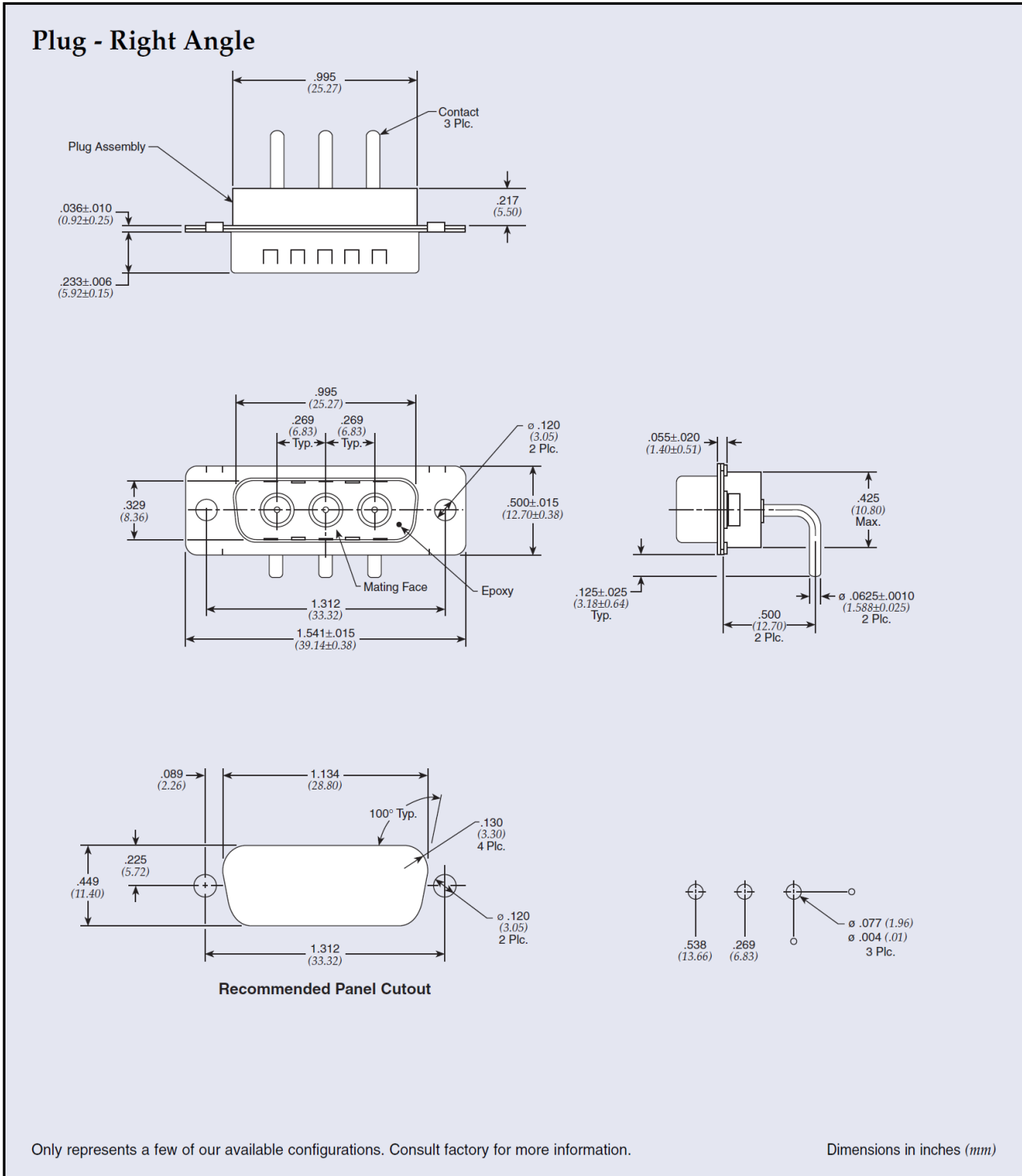
Filtered Combo D-Subminiature Connectors

3W3



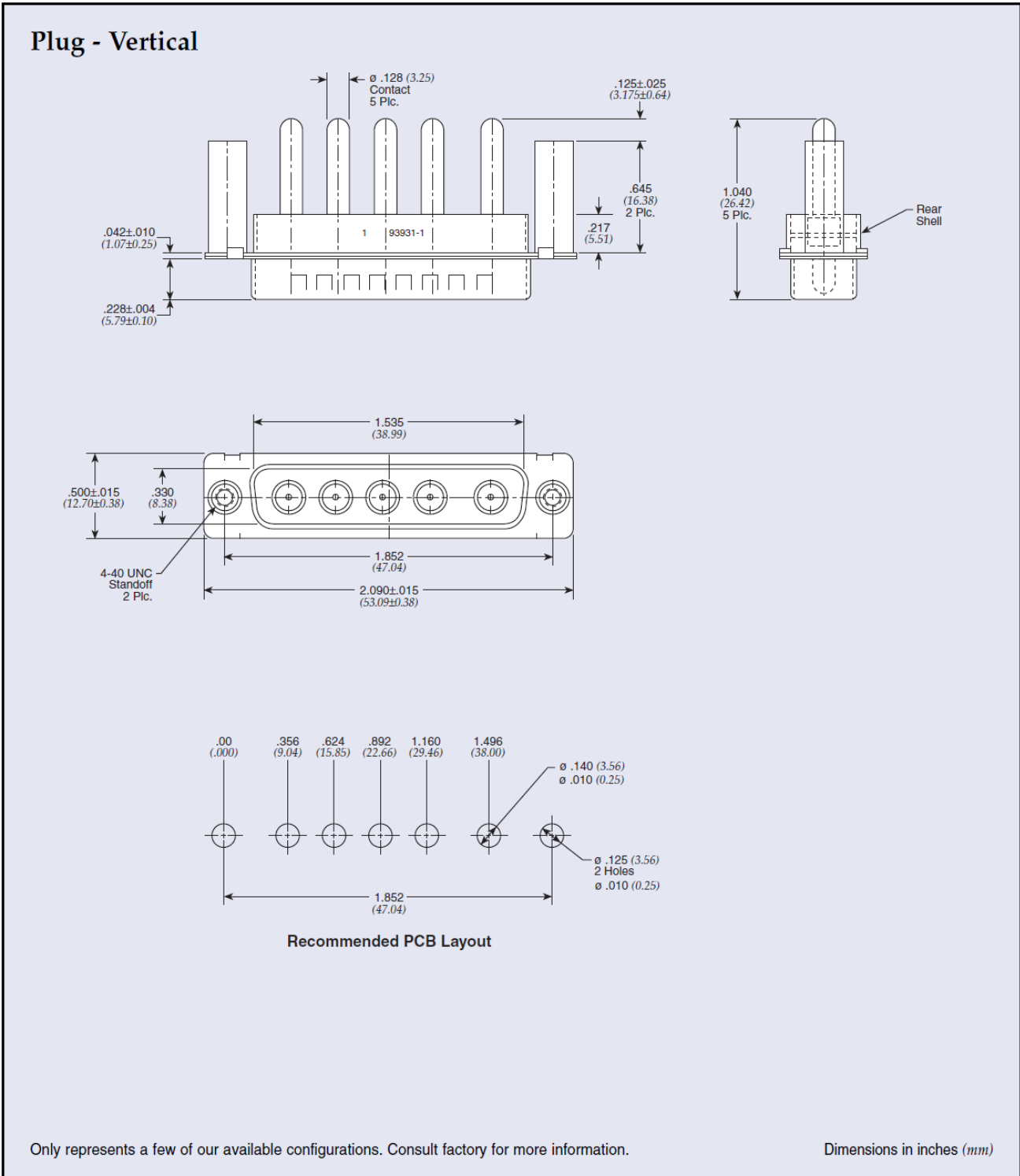
Filtered Combo D-Subminiature Connectors

3W3



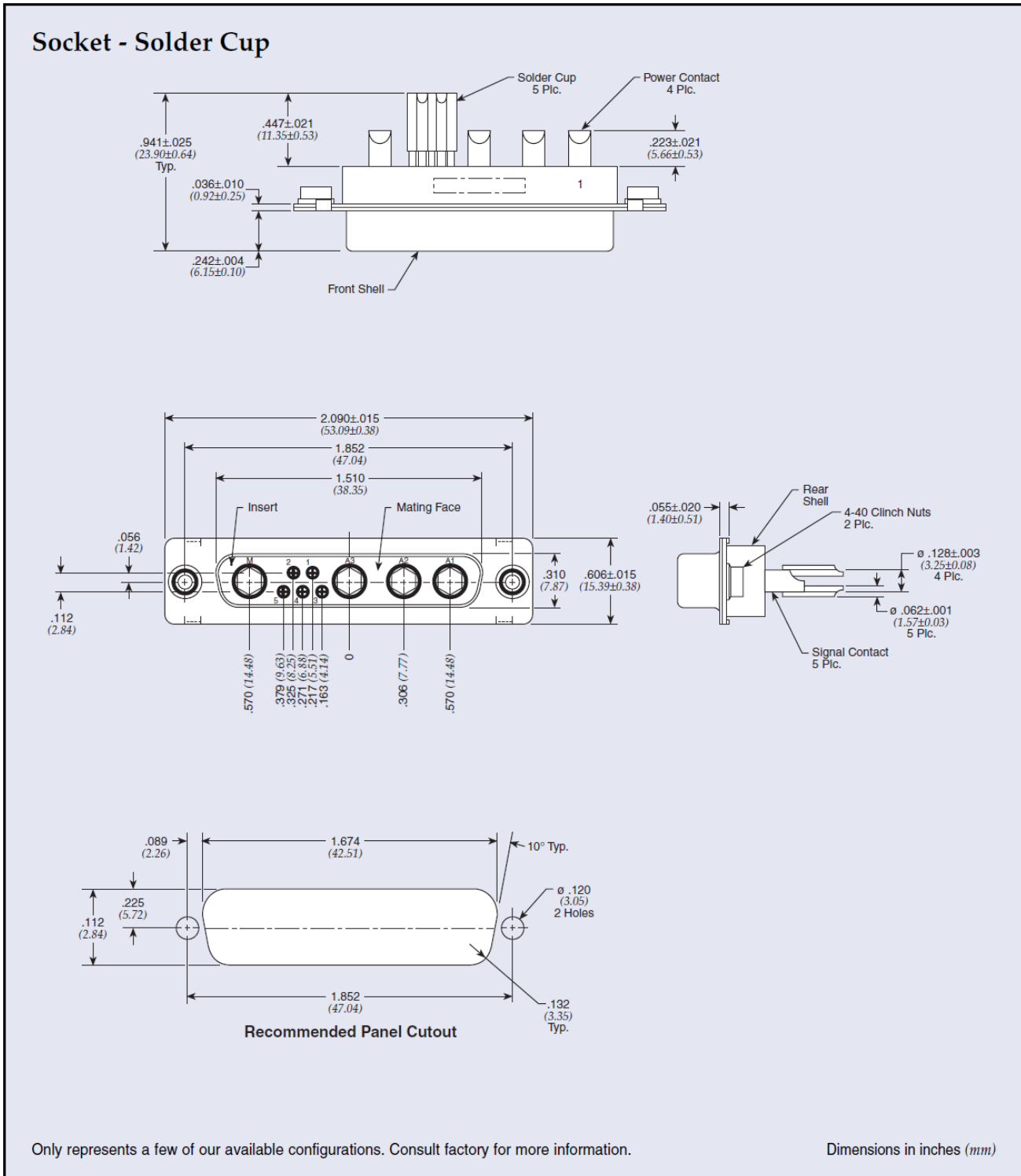
Filtered Combo D-Subminiature Connectors

5W5



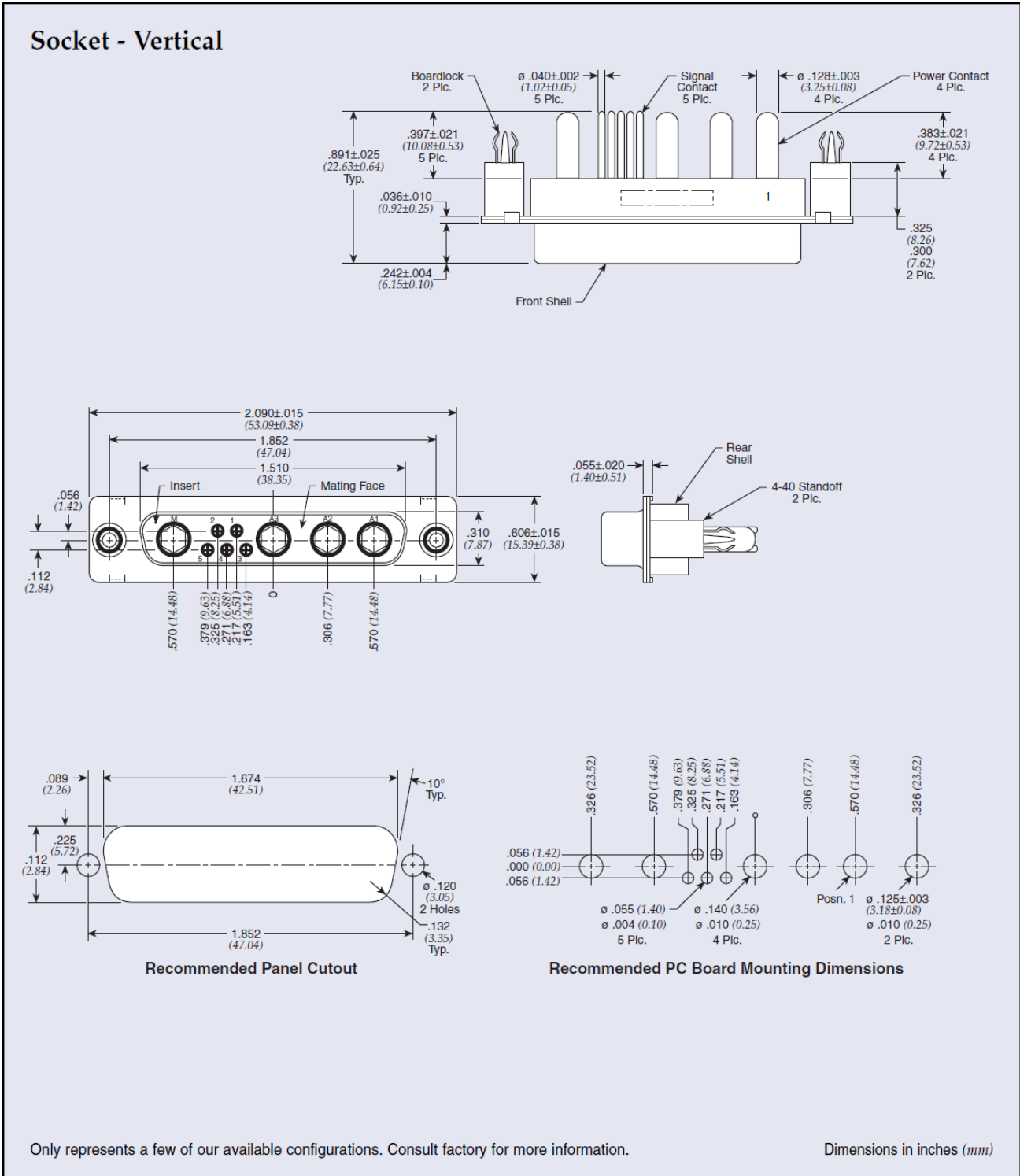
Filtered Combo D-Subminiature Connectors

9W4



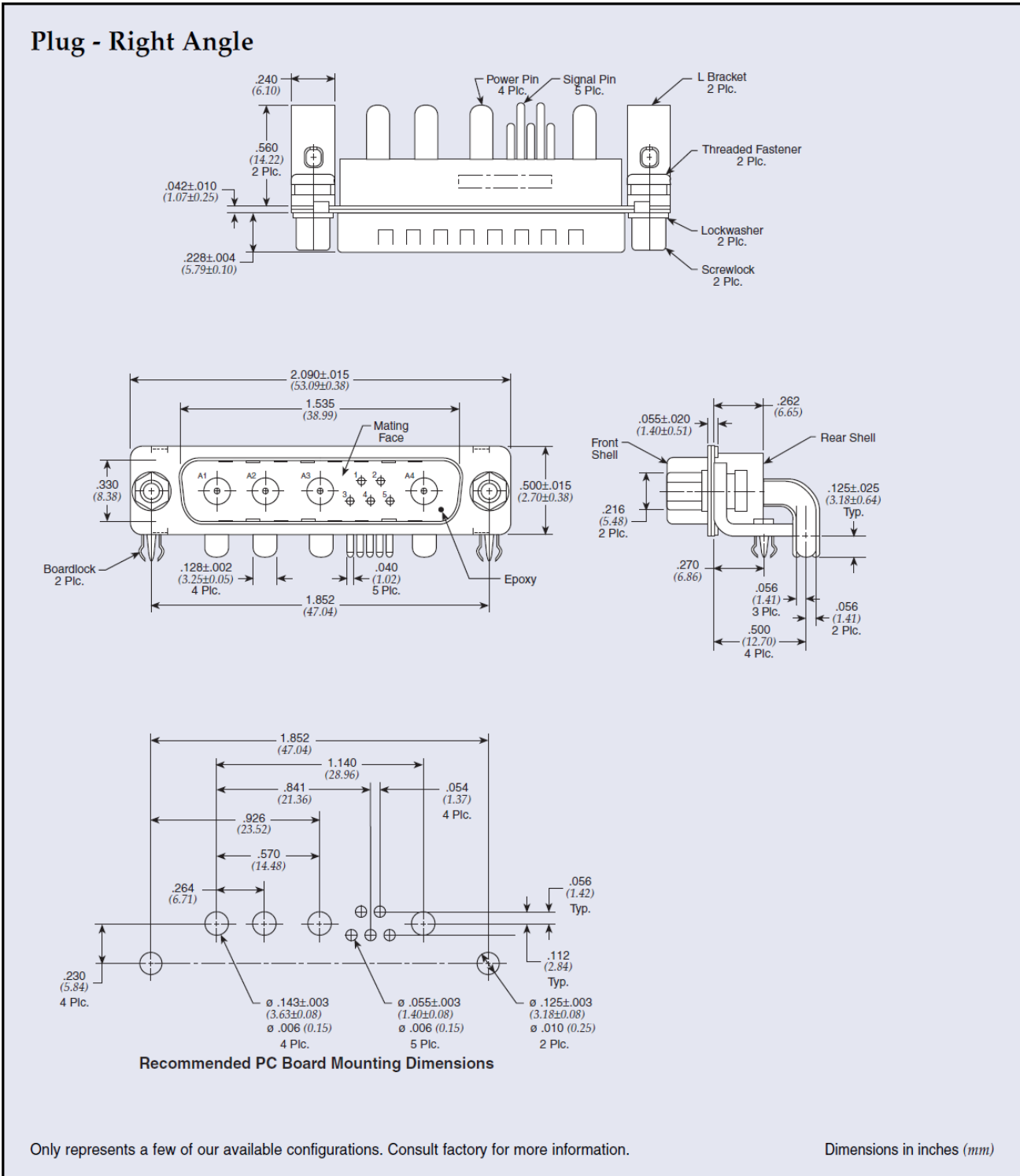
Filtered Combo D-Subminiature Connectors

9W4



Filtered Combo D-Subminiature Connectors

9W4



Filtered Combo D-Subminiature Connectors

24W7

