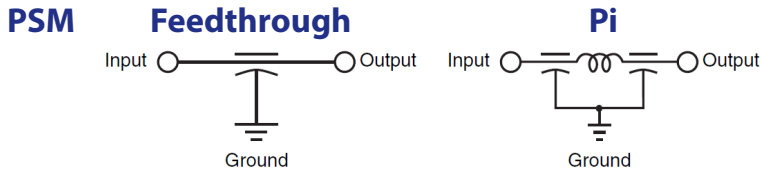
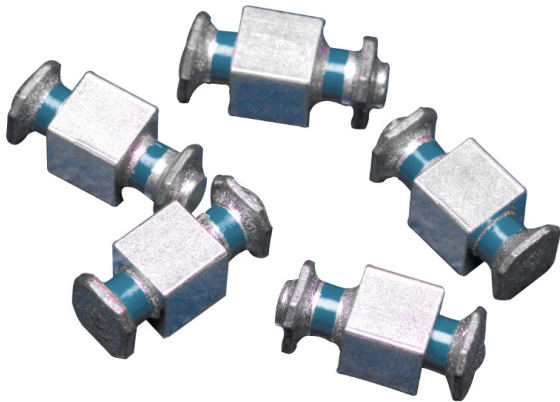


Surface Mount Low Pass Filters

PSM Series



<i>Voltage Rating DC</i>	200 VDC @ -55°C to +125°C
<i>DWV</i>	700 VDC
<i>Current Rating</i>	20 Amps (Feedthrough) max. 10 Amps (Pi) max.
<i>Insulation Resistance</i>	1.0 GΩ @ 25°C
<i>Dissipation Factor</i>	4.0% maximum
<i>D.C.R</i>	Max. .0005Ω, typ. .0002Ω



** Capacitance values for insertion loss curves are displayed left to right in the order shown.*

Surface Mount Low Pass Filters

PSM Series

PSM Ordering Information

Example: PSM4-402Z-20T0

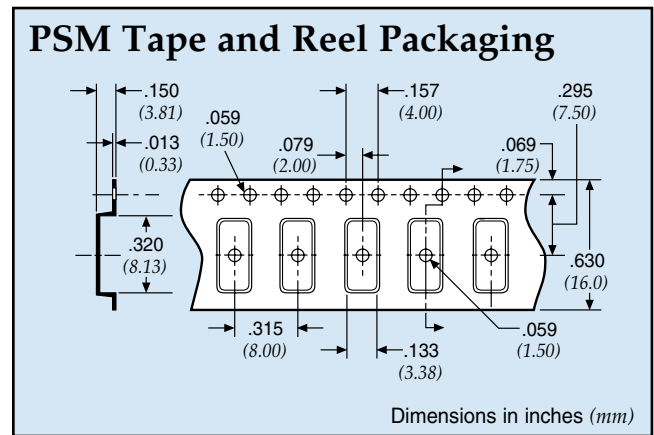
PSM	4	402Z	20	T	0
Style	Circuit Configuration	Capacitance	Current Rating	Packaging	Tape and Reel
PSM (Power)	1 - Pi 4 - Feedthrough		10 - 10 Amps (Pi) 20 - 20 Amps (Feedthrough)	T - Tape and reel packaging B - Bulk packaging	0 - 500 pieces 2 - 2,000 pieces <i>Note: Tape and reel packaging - 500 pieces (7") and 2,000 pieces (13")</i>

Code	Value*	Tolerance
680M	68 pF	±20%
101M	100 pF	±20%
131P	130 pF	+100/-0%
471P	470 pF	+100/-0%
821M	820 pF	±20%
102M	1000 pF	±20%
152M	1500 pF	±20%
252P	2500 pF	+100/-0%
402Z	4000 pF	+80/20%
103Z**	.01 µF	+80/-20%

† Also available through APITech's authorized distributors.

Technical Notes

- Soldering recommendations supplied upon request
- Reflow temperature limit is 250°C
- Unit weight is approximately 0.4 grams
- Tape and reel packaging available for automated assembly



PSM Recommended Board Pattern

- Solder paste pattern
- Recommended pad, must be able to support continuous signal current

X = 0.350" minimum for 1 oz. copper (0.036 mm thickness)

X = 0.200" minimum for 2 oz. copper (0.071 mm thickness)

For low current (10 Amp or less)
X = 0.130" minimum for 1 oz. copper (0.036 mm thickness for 10 Amp and 0.5 oz. copper - 0.018 mm)

