

DC Blocks

MODEL: 8535

SMA
7 KHz - 23 GHz
Inner Only

Specifications

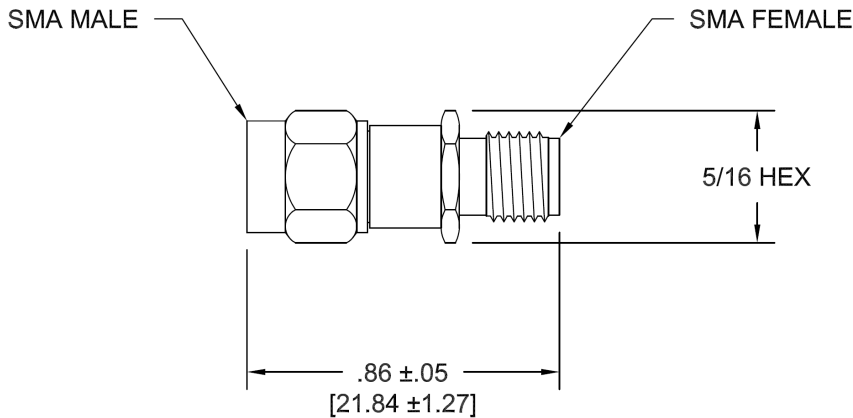
Electrical

Frequency Range	7 KHz - 23 GHz
VSWR (100 KHz - 23 GHz)	1.35:1
Impedance	50 Ohms
Insertion Loss	
100 KHz - 12.4 GHz	0.5 dB Max.
12.4 GHz - 32 GHz	0.75 dB Max.
Voltage Rating	100 Volts
Operating Temp. Range	-65°C to +125°C
< -3 dB Bandwidth	7 KHz - 23 GHz

Mechanical

SMA Connectors	Passivated Stainless Steel (Mates with MIL-STD-348)
Conductors	Gold Plated Beryllium Copper

Model Number: 8535



Note:

Dimensions in Brackets are Expressed in Millimeters and are for Reference Only.
Design specifications are subject to change without notice.
Contact APITech for technical specifications before purchasing or use.