

TERMINATION CHIP

DC - 2 GHz 150 WATTS



MODELS: PPC375-225AG SERIES

SPECIFICATIONS:

Electrical:

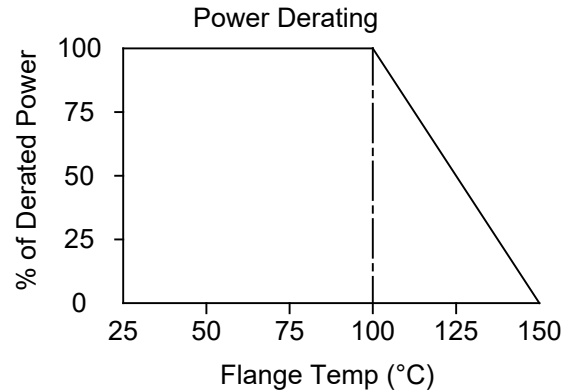
Frequency Range _____ DC - 2 GHz
 Impedance _____ 50 ±5% Ohms (Standard)
 Power Handling (C/W)* _____ 150 Watts Avg.
 _____ Derated Linearly to 0 Watts @ +150°C

VSWR (50 Ohm only):

DC - 500 MHz _____ 1.25:1 Max.
 500 MHz - 1 GHz _____ 1.45:1 Max.
 1 GHz - 2 GHz _____ 2.00:1 Max.
 Operating Temp. Range _____ -55°C to +150°C

Mechanical:

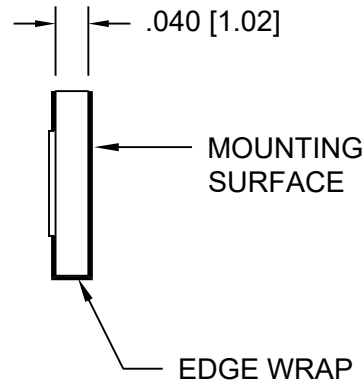
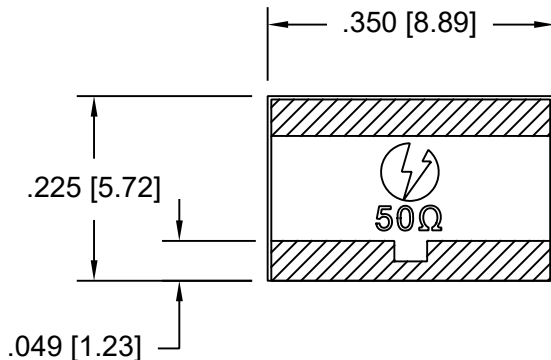
Substrate _____ Beryllium Oxide
 Resistor Material _____ Proprietary Thin Film
 Terminal Finish _____ Silver (Standard)
 _____ (See How to Order for Tinning options)



*Mounting Surface Shall not Exceed 100°C Max.

Model Number: PPC350-225AG-50R0J Shown

Tolerance: .XXX = ±.010



Dimensions are for substrate only and do not include terminal thickness or optional tinning thickness.

HOW TO ORDER:

Model Number: PPCT350-225AG-XXXXY

Terminal Options
 = Silver
 T = Tin Lead Solder
 H = Lead Free Solder

Tolerance
 G = 2%
 J = 5% (Standard)

Ohm Value (Other values available)
 50R0 = 50 Ohms
 1000 = 100 Ohms

Note: Dimensions in Brackets are Expressed in Millimeters and are for Reference Only.

Design specifications are subject to change without notice.