

Multiline Surface Mount Array

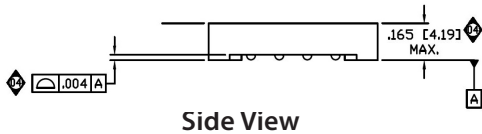
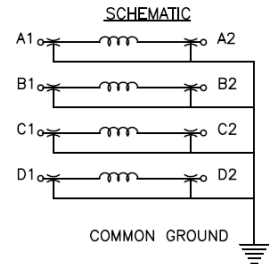
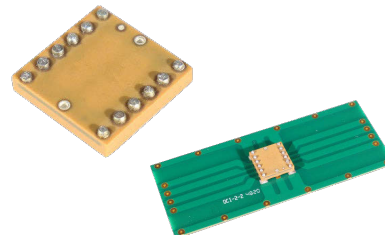
Integrated surface mount package with exceptional EMI protection of signal and power lines.

Features

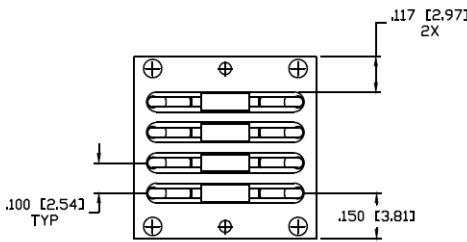
- Provide EMI filtered signal lines between system modules
- Reduce or eliminate the need to assemble filters at bulkhead
- Economical method to meet EMC requirements
- Improve reliability, every filter is 100% tested for key parameters
- Superior performance to chip level solutions
- Easy connection and installation
- Peak temperature +260°C for IR and FC reflow systems

Applications

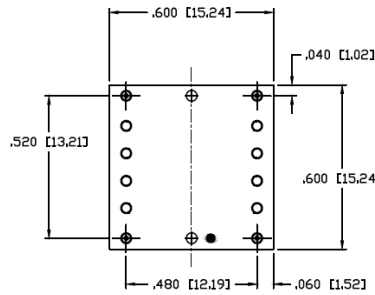
- Telecommunication equipment
- Military and defense applications
- Industrial control panels
- Measuring and testing instruments
- Medical equipment



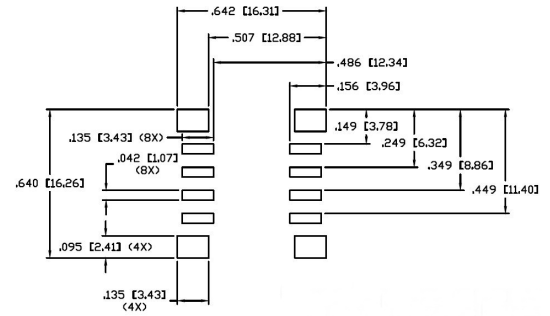
Side View



Bottom View



Top View



Recommended PCB Pad Layout

* Dimensions in inches

Part Number	Filter Circuits	Suggested Capacitance		3dB Max. Cut-Off Freq (MHz)	Working Voltage DC -55°C to +125°C	Minimum Insertion Loss - Decibels (dB) 50 ohm System per MIL-STD-220 (no load)										
		Value	Tolerance			500 KHz	1 MHz	5 MHz	10 MHz	30 MHz	50 MHz	100 MHz	300 MHz	500 MHz	1 GHz	
MMS1-101M-10	Pi	100pF	±20	32	200V	-	-									
MMS1-471M-10		470pF	±20	10.8	200V	-	-									
MMS1-102M-10		1000pF	±20	5.4	200V	-	-									
MMS1-252P-10		2500pF	+100/-0%	1.3	200V	-	-									
MMS1-402P-10		4000pF	+100/-0%	0.8	200V	-	-									
MMS1-802P-10		8000pF	+100/-0%	0.4	200V	-	-									
MMS1-253P-10		25nF	+100/-0%	0.26	200V	4	9									
MMS1-503P-10		50nF	+100/-0%	0.13	200V	9	14									
MMS1-104P-10		0.1µF	+100/-0%	0.03	200V	14	18									

Notes

- Current Rating: 10 amps per line
- Terminations: silver plated
- Other capacitance values available