

T1/CEPT

Input Transformer

TFS 2574

TFS 2574 is specifically designed for use as a Line Input Transformer in T1/CEPT applications.

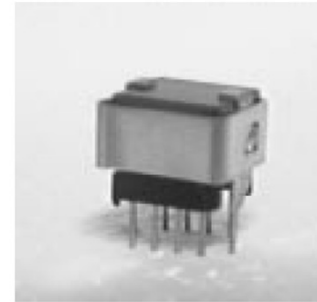
It has been approved by MITEL for use with their MH89760 and MH89790 devices.

TFS2574 is available in five versions: -0, -2, -3, -4 and -5 for 100, 120 and 75/120Ω line impedances.

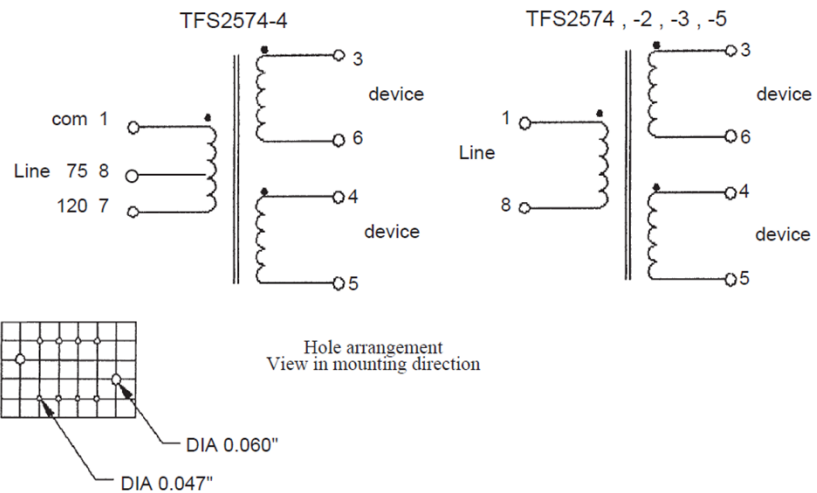
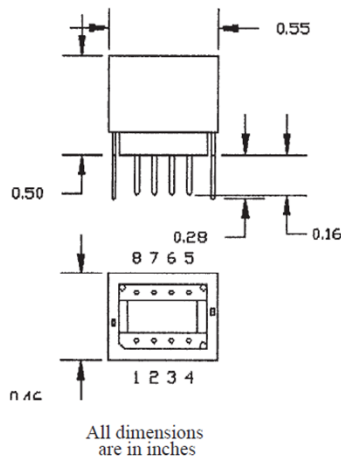
Also suitable as Input/Output transformer for other makes of T1/CEPT interface devices.

Typical applications are:

- PBX or computer to T1/CEPT Digital Trunks.
- High speed data link using T1/CEPT Digital Trunk.
- TDM Multiplexers.
- ISDN Primary Rate.



MECHANICAL



ELECTRIAL SPECIFICATIONS

		TFS2574	-2	-3	-4	-5
Line Impedance:	T1 (MH89760) CEPT (MH89790)	100Ω 75Ω	120Ω	120Ω	75/120Ω	75Ω
DCR (Ohms)	(1 - 8) (3 - 6) & (4 - 5)	0.6 0.7	0.37 0.64	0.6 0.6	0.41 0.62	0.41 0.75
Inductance (mH)	(1 - 8) (1 - 7)	> 2.2mH	> 1.07mH	> 1.5mH	> 1.20mH > 1.9mH	> 0.8mH
Turns Ratio	(1 - 8):(3 - 6):(4 - 5) (1 - 7):(1 - 8)	1:1:1	1.25:1:1	1.25:1:1	1:1:1 1.26:1	1:1:1
Dielectric Strength (V rms)		1500	1500	1500	1500	1500
Applicable documents:						
Longitudinal Bal.	ANSI T1.408 CCITT I.431	yes yes	n/a yes	n/a yes	n/a yes	n/a yes
Return Loss	ANSI T1.408 CCITT G.703 BT BS6328	yes yes n/a	n/a yes n/a	n/a yes n/a	n/a yes n/a	n/a yes yes