

T1 / DS1

Adjustable Inductor

CFS 2575

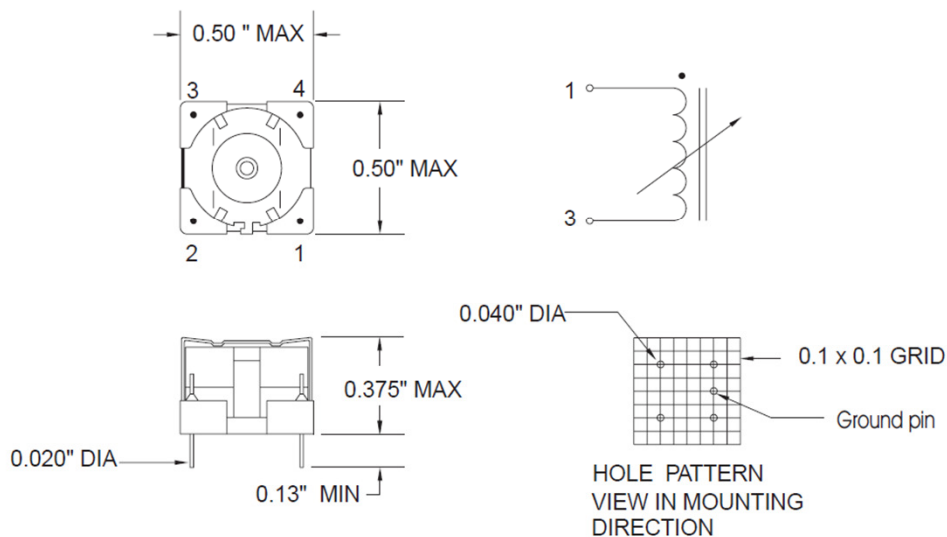
CFS 2575 is an adjustable inductor (clock extractor coil) for **MITEL MH89760** device.

The MH89760 has a built in clock extraction circuit, which creates a 1.544 MHz clock synchronized to the received DS1 signal. The free-running frequency of the oscillator is controlled by an external tunable inductor. The inductor should be tuned to provide a frequency of 1.544 MHz \pm 200 Hz.

Typical applications are:

- PBX or computer to T1/CEPT Digital trunks.
- High speed data link using T1/CEPT Digital Trunk.
- TDM Multiplexers.
- ISDN Voice/Data.

MECHANICAL



ELECTRICAL SPECIFICATIONS

Inductance range	μ H	42 - 47		
DC Resistance	Ohms	7.5	nom.	
Distributed Capacitance	pF	3.0	nom.	5.0 max.