

ISDN S-Bus

Input/Output Transformer

TPW3852

The 4 wire interface between Subscriber Terminals and the Network Termination has been standardized by CCITT recommendation I.430. It uses a passive bus which provides separate receive and transmit loops operating at 192 Kbits/s.

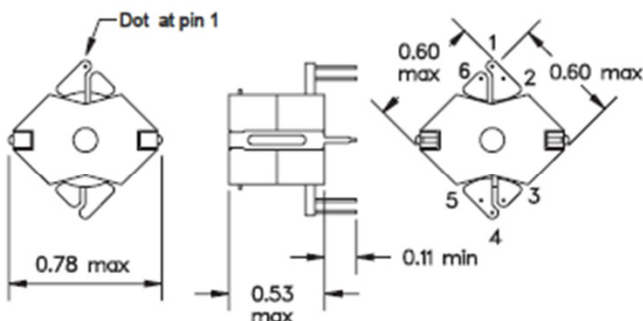
Two versions of TPW3852 have been designed and approved for use with the following devices:

TEW3852	Siemens	PEB2080
		PEB2081
		PEB2085
		PEB2086
TPW3852-4	AMD	Am79C30A
		Mitel
MT8930A, -B, -C	MT8931B, -C	

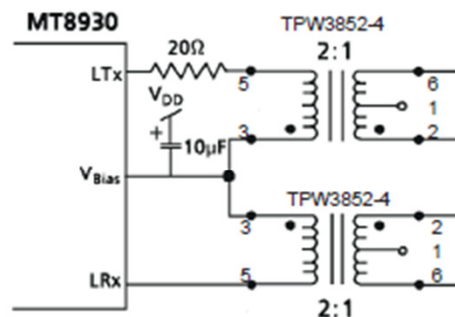
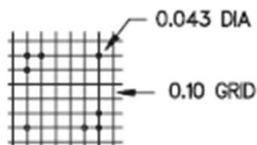
(See schematic below for correct connections.)



MECHANICAL



All dimensions are in inches



ELECTRICAL

Device

TPW3852

TPW3852-4

PEB2080
PEB2085
PEB2086
Am79C30A

MT8930A, -B, -C
MT8931B, -C

Turns ratio (2 - 6) : (5 - 3)
Inductance (2 - 6)
Leakage Ind. (2 - 6)
DC Resistance (2 - 6)
(3 - 5)

1 : 2
> 22 mH
< 12 μ H
1.0 Ω
9.0 Ω

1 : 2
> 20 mH
< 6.0 μ H
3.2 Ω
6.3 Ω

Output Impedance
Pulse Characteristics

Conforms to the impedance mask specified in I.430
Conforms to the pulse mask specified in I.430

Dielectric Strength, (rms)

1500 V

1500 V