

Toroidal Inductors

Medium Current

CTP4406

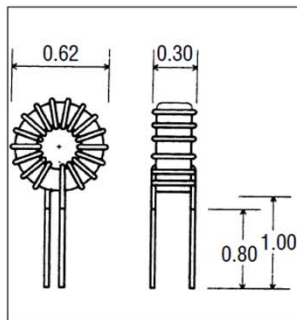
CTP4406 is a medium current inductor with the following data and features:

- **Core type:** 0.50" o.d., Iron Powder, perm 75.
 - **Power rating:** 0.50 watts for temp. rise 50°C.
 - **Typical applications:** Input and output filters in Switch Mode Power Supplies.
- Four mounting styles are offered:**
- 1 Flying leads (1.00"), for vertical or horizontal mounting.
 - 2 4-pin header, for vertical mounting.
 - 3 Threaded center hole, flying leads (2.00").
 - 4 2-pin header, for vertical mounting.

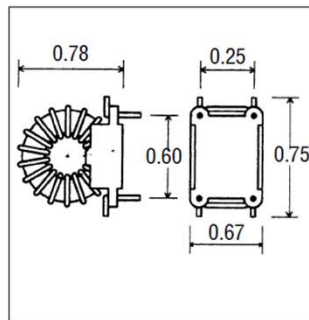


MECHANICAL

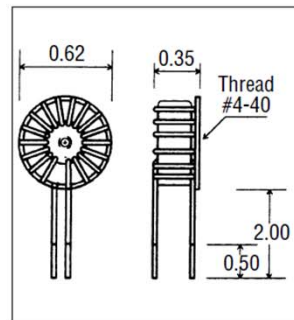
Style 1



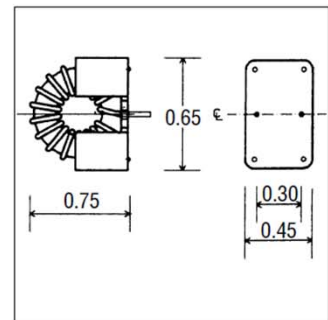
Style 2



Style 3



Style 4



ELECTRICAL SPECIFICATION

Ordering Information: Substitute the style number for the asterisk (*). Example: CTP4406, Style 1, 56uH. Order: CTP4406 - 116

Part No. CTP4406 -	Inductance (uH)	DCR Ohms	Rated Current Amp. RMS	I (amp.) @ Lsat. 10%	I (amp.) @ Lsat. 25%	I (amp.) @ Lsat. 50%
* 01	3.3	0.009	7.6	3.3	6.5	13.0
* 02	3.9	0.009	7.3	3.0	6.0	12.0
* 03	4.7	0.010	7.0	2.7	5.5	10.9
* 04	5.6	0.011	6.7	2.5	5.0	10.0
* 05	6.8	0.012	6.4	2.3	4.5	9.1
* 06	8.2	0.013	6.2	2.1	4.1	8.3
* 07	10	0.014	5.9	1.9	3.7	7.5
* 08	12	0.016	5.6	1.7	3.4	6.8
* 09	15	0.018	5.3	1.5	3.1	6.1
* 10	18	0.019	5.1	1.4	2.8	5.6
* 11	22	0.026	4.3	1.3	2.5	5.1
* 12	27	0.029	4.1	1.1	2.3	4.6
* 13	33	0.041	3.5	1.0	2.1	4.1
* 14	39	0.056	3.0	0.9	1.9	3.8
* 15	47	0.077	2.5	0.9	1.7	3.5
* 16	56	0.084	2.4	0.8	1.6	3.2
* 17	68	0.093	2.3	0.7	1.4	2.9
* 18	82	0.101	2.2	0.7	1.3	2.6
* 19	100	0.112	2.1	0.6	1.2	2.4
* 20	120	0.122	2.0	0.5	1.1	2.2