

Toroidal Inductors

Medium Current

CTP4410

CTP4410 is a medium current inductor with the following data and features:

- **Core type:** 1.30" o.d., Iron Powder, perm 75.
- **Power rating:** 3.13 watts for temp. rise 50°C.
- **Typical applications:** Input and output filters in Switch Mode Power Supplies.

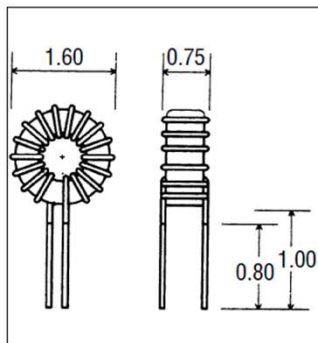
Three mounting styles are offered:

- 1 Flying leads (1.00"), for vertical or horizontal mounting.
- 2 4-pin header, for vertical mounting.
- 3 Threaded center hole, flying leads (2.00").

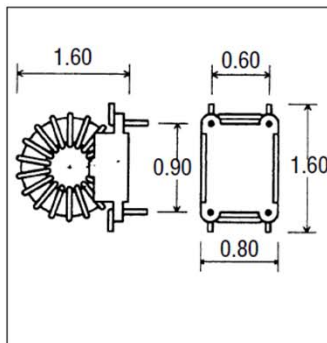


MECHANICAL

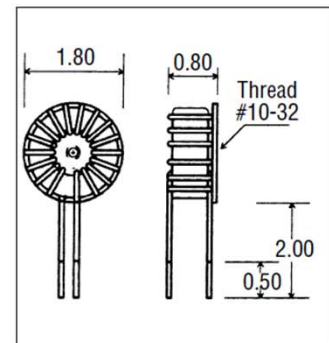
Style 1



Style 2



Style 3



ELECTRICAL SPECIFICATION

Ordering Information: Substitute the style number for the asterisk (*). Example: CTP4410, Style 1, 56uH. Order: CTP4410 - 116

Part No.	Ind. (uH)	DCR Ohms	Rated Current Amp. RMS	I (amp.) @ Lsat. 10%	I (amp.) @ Lsat. 25%	I (amp.) @ Lsat. 50%	Part No.	Ind. (uH)	DCR Ohms	Rated Current Amp. RMS	I (amp.) @ Lsat. 10%	I (amp.) @ Lsat. 25%	I (amp.) @ Lsat. 50%
* 01	3.3	0.004	27.9	13.2	26.4	52.7	* 17	68	0.018	13.4	2.9	5.8	11.6
* 02	3.9	0.004	26.8	12.1	24.3	48.5	* 18	82	0.019	12.8	2.6	5.3	10.6
* 03	4.7	0.005	25.6	11.0	22.1	44.2	* 19	100	0.021	12.1	2.4	4.8	9.6
* 04	5.6	0.005	24.6	10.1	20.2	40.5	* 20	120	0.023	11.6	2.2	4.4	8.7
* 05	6.8	0.006	23.4	9.2	18.4	36.7	* 21	150	0.033	9.8	2.0	3.9	7.8
* 06	8.2	0.006	22.4	8.4	16.7	33.5	* 22	180	0.036	9.3	1.8	3.6	7.1
* 07	10	0.007	21.4	7.6	15.1	30.3	* 23	220	0.050	7.9	1.6	3.2	6.5
* 08	12	0.007	20.4	6.9	13.8	27.7	* 24	270	0.070	6.7	1.5	2.9	5.8
* 09	15	0.008	19.4	6.2	12.4	24.7	* 25	330	0.097	5.7	1.3	2.6	5.3
* 10	18	0.009	18.5	5.6	11.3	22.6	* 26	390	0.134	4.8	1.2	2.4	4.9
* 11	22	0.010	17.6	5.1	10.2	20.4	* 27	470	0.147	4.6	1.1	2.2	4.4
* 12	27	0.011	16.8	4.6	9.2	18.4	* 28	560	0.201	4.0	1.0	2.0	4.0
* 13	33	0.012	16.0	4.2	8.3	16.7							
* 14	39	0.013	15.3	3.8	7.7	15.3							
* 15	47	0.015	14.6	3.5	7.0	14.0							
* 16	56	0.016	14.0	3.2	6.4	12.8							