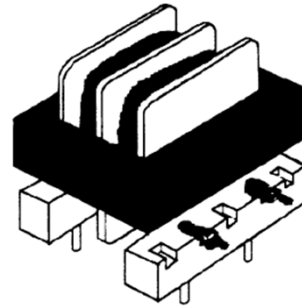


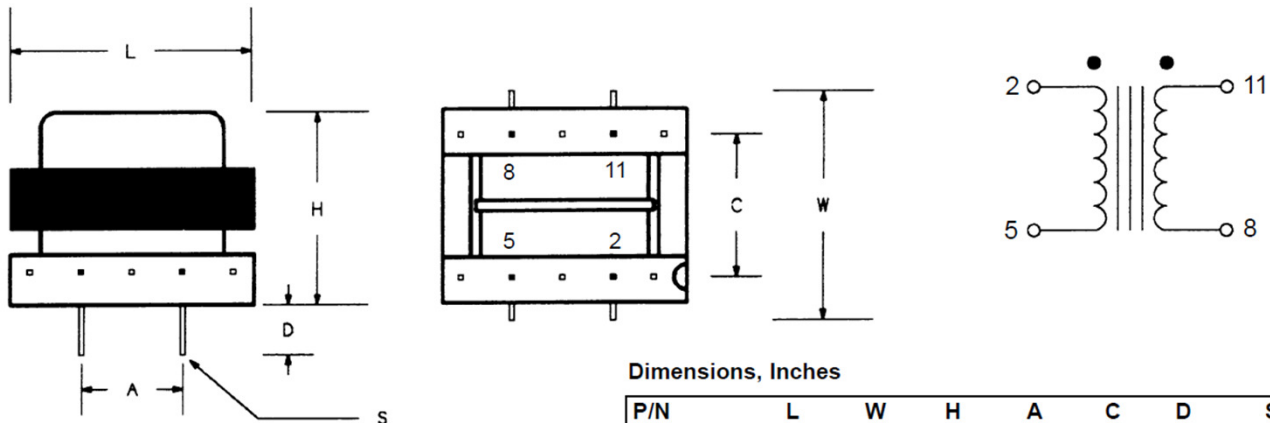
# Common Mode Inductors Horizontal PCB CEP4737

CEP4737 is a Common Mode Inductor for Switch Mode Power Supplies.

- **Inductance range:** 0.33 to 82 mH.
- **Rated current range:** 10 to 0.8 Amp.
- Split bobbins for increased dielectric strength (4000 V RMS).
- **CSA** listed (LR 47366) and **U.L.** recognized (E100878).
- Exceeds **VDE**, **BSI** and **IEC** regulatory requirements.



## MECHANICAL



Dimensions, Inches

P/N	L	W	H	A	C	D	S
CEP4737	1.36	1.20	1.12	0.60	0.87	0.150	0.036 SQ

## ELECTRICAL SPECIFICATION

Part No. CEP4737 -	Ind. (mH) Min.	DCR Ohms Max.	Rated Current Amp.	Part No. CEP4737 -	Ind. (mH) Min.	DCR Ohms Max.	Rated Current Amp.
* 01	0.33	0.010	10.0	* 16	5.6	0.11	3.1
* 02	0.39	0.011	9.6	* 17	6.8	0.15	2.6
* 03	0.47	0.012	9.2	* 18	8.2	0.16	2.5
* 04	0.56	0.013	8.8	* 19	10	0.22	2.1
* 05	0.68	0.014	8.4	* 20	12	0.25	2.0
* 06	0.82	0.016	8.0	* 21	15	0.27	1.9
* 07	1.0	0.022	6.8	* 22	18	0.38	1.6
* 08	1.2	0.024	6.5	* 23	22	0.41	1.6
* 09	1.5	0.027	6.1	* 24	27	0.58	1.3
* 10	1.8	0.037	5.2	* 25	33	0.64	1.3
* 11	2.2	0.041	4.9	* 26	39	0.70	1.2
* 12	2.7	0.057	4.2	* 27	47	0.96	1.0
* 13	3.3	0.063	4.0	* 28	56	1.05	1.0
* 14	3.9	0.086	3.4	* 29	68	1.46	0.8
* 15	4.7	0.095	3.2	* 30	82	1.60	0.8