

64 Kbit/s data

In/Output Transformer

TEW4974

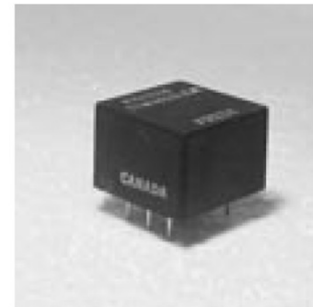
SCOPE

TEW4974 and TEW4974-1 are designed to operate in the 64 kbit mode of the CCITT recommendation G703 for Hierarchical Digital Interfaces.

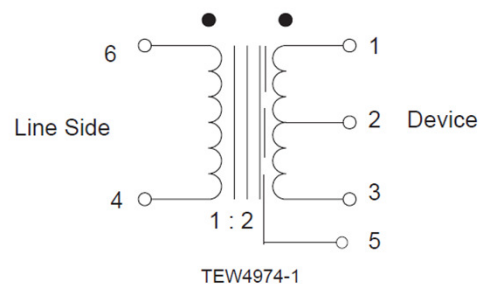
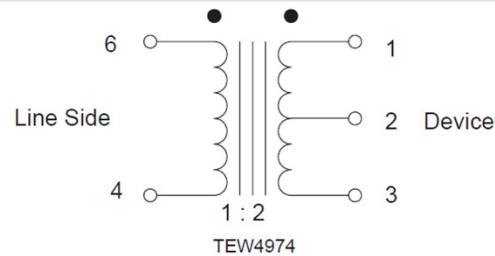
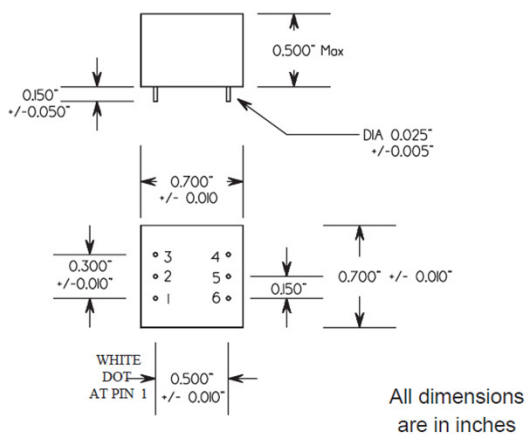
Applications:
Codirectional Interface
Contradirectional Interface

Features:

- TEW4974 is specifically designed to meet the stringent BS6301 requirements for reinforced barrier insulation.
- TEW4974 is fully encapsulated in epoxy to ensure 4000V dielectric strength.
- TEW4974-1 has an electrostatic shield for improved noise rejection.



MECHANICAL



ELECTRICAL SPECIFICATIONS		TEW4974	TEW4974-1
Line Impedance		120 Ω	120 Ω
Turns Ratio	(6 - 4):(1 - 3)	1:2	1:2
Winding Resistance	(1 - 3)	5.2 Ω nom.	8.9 Ω nom.
	(6 - 4)	3.1 Ω nom.	2.8 Ω nom.
Inductance @ 0.5V 3000 Hz	(6 - 4)	> 16 mH	> 24 mH
Leakage Inductance	(6 - 4)	< 50 μH	< 20 μH
Return Loss @ 0.5 V	Application CCITT G.703	Codirectional para. 1.2.1.3	Co- & Contradirectional para. 1.2.1.3 & 1.2.3.1.6
Temperature	Operating Storage	0 to +50° C - 40 to +70° C	0 to +50° C - 40 to +70° C
Dielectric Strength		4000 Vrms	1500 Vrms