

CEPT/T1

Input/Output Transformer

TEW4977

TEW4977 & -1 are designed and approved to be used as an Input transformer with the following devices.

Crystal CS61534, 61535, 61574, 6158, 61535A, 61574A, 61575, 6158A.

Level One LXT 300, 301, 305, 304A, 305A

Also as an Output transformer for:

Crystal CS61534, 61535, 61574 & 6158.

Level One LXT 300, 301, 305

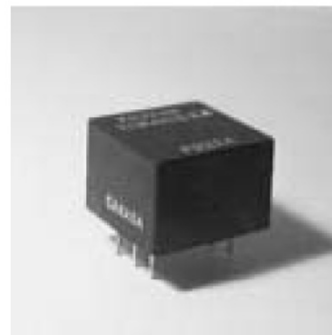
TEW4977-2 is designed to be used as an Output transformer, and **TEW4977-3** as an Input trf. for:

Brooktree BT8069B device

Fully encapsulated in epoxy.

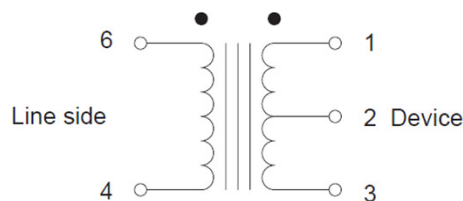
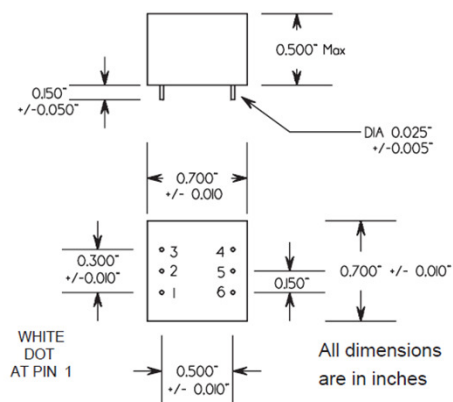
Typical applications are:

- Primary rate ISDN network nodes.
- PBX or computer to T1/CEPT Digital trunks.
- High speed data link using T1/CEPT Digital trunk.
- TDM Multiplexers.



Designed to meet reinforced insulation to EN60950 & EN41003

MECHANICAL



ELECTRICAL SPECIFICATION		TEW4977	-1	-2	-3	-4	
Line Impedance	(Ohms)	75, 100 & 120	75	75, 100 & 120	75, 100 & 120	75 & 120	
DCR	(Ohms)	(1 - 3)	1.15 nom.	1.6	0.7 nom	0.7 nom	1.2 nom
		(6 - 4)	0.60 nom.	0.8	1.2 nom	0.7 nom	0.7 nom
Turns ratio		(6 - 4) : (1 - 3)	1 : 2 c.t.	1 : 2 c.t.	2 : 1 c.t.	1 : 1	1 : 2
		(6 : 4) : (1 - 2)	—	—	—	—	1 : 1.58
Inductance	(mH)	(6 - 4)	> 1.2	> 0.8	> 4.8	> 1.2	> 1.2
Longitud. Bal.			T1.408	I.431	T1.408	T1.408	I.431
			I.431	I.431	I.431	I.431	
Return Loss			T1.40	G.703	n/a	G.703	G.703
			G.703	BS6328			
Dielectric Strength	(Vrms)		4000	4000	4000	4000	