

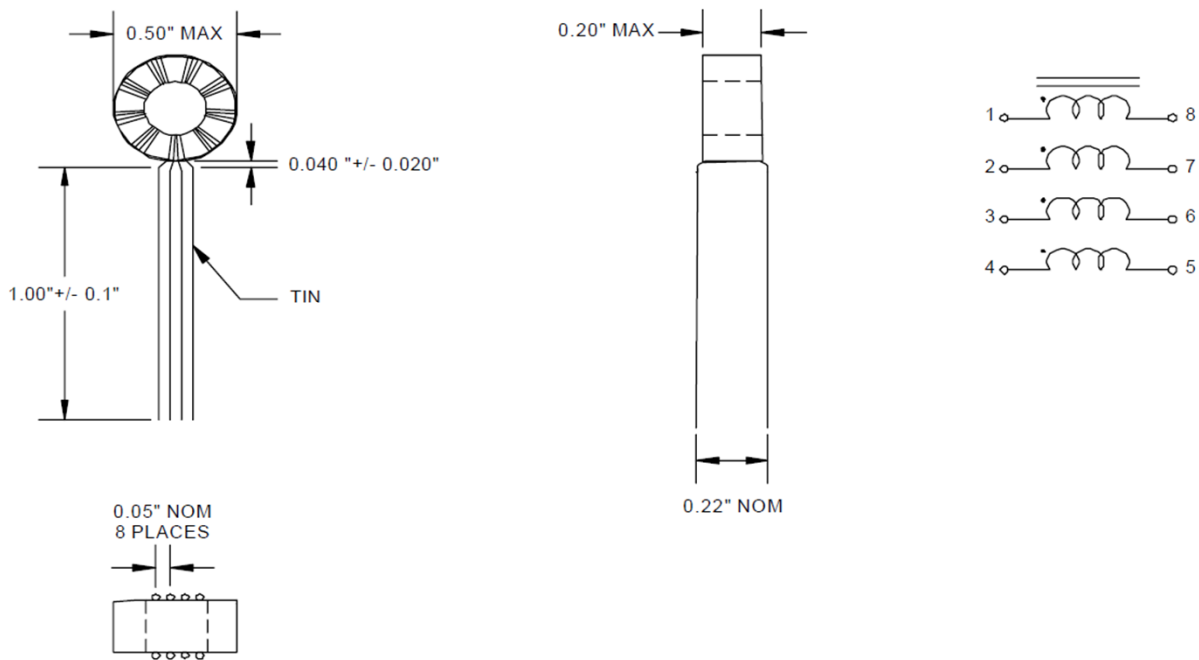
## T1/CEPT Current Compensated Quad Choke CTS5078

CTS5078 is a 4-winding common mode choke. Specifically designed to suppress EMI on the primary rate line (2 pairs) in the T1/CEPT interface.

### Typical applications are:

- Primary rate ISDN network nodes
- PBX or computer to T1/CEPT Digital trunks
- High speed data link using T1/Cept Digital trunks
- TDM Multiplexers

### MECHANICAL



### ELECTRICAL SPECIFICATION @ 25°C

Inductance, (1KHZ, 0.1 V)	each winding	0.2 mH +/- 30%
DC Resistance	each winding	< 0.05 Ω
Rated Voltage	winding / winding	100 VDC
Rated Current	each winding	100 mA
Dielectric Strength	winding / winding	500 Vrms