

CEPT /T1

Output Transformer

TEW5280

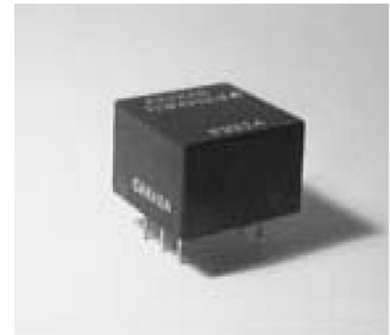
TEW5280 is designed and approved to be used as a transmit transformer in T1/CEPT applications with the following devices:

- Dallas DS2186
DS2151Q
DS2153Q
- PMC-Sierra PM4341 T1X
PM6431 E1
- AT&T T7290

Typical applications are:

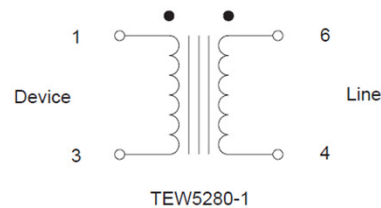
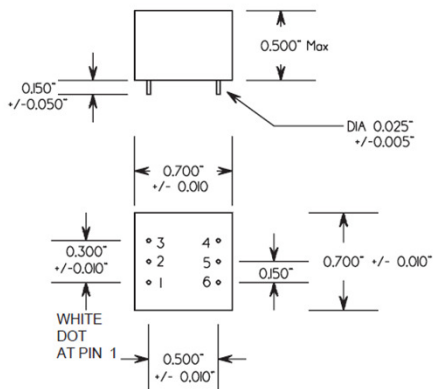
- Primary rate ISDN network nodes.
- PBX or computer to T1/CEPT Digital Trunks.
- TDM Multiplexers.
- Fully encapsulated in epoxy.

Designed to meet reinforced insulation to EN60950 & EN41003



Complies with ANSI T1.408 and CCITT I.431, with regards to Longitudinal Balance

MECHANICAL



ELECTRICAL SPECIFICATIONS

TEW5280 -1

Line Impedance		75, 100 & 120 Ω
DCR (Ohms)	(1 - 3) (6 - 4)	0.61 0.77
Turns Ratio	(1 - 3) : (6 - 4)	1 : 1.35
Inductance (mH)	(6 - 4)	> 1.75
Pulse Mask		T1 & CEPT
Longitud. Bal.		T1.408 & I.431
Dielectric Strength (Vrms)		4000