

CEPT /T1

Input Transformer

TEW5281

TEW5281 is designed and approved to be used as a Receive Transformer in T1 and CEPT applications with the following devices:

- Dallas DS2187
- PMC -Sierra PM4341 T1X
PM6431 E1
- AT&T T7290
- EXAR T5683

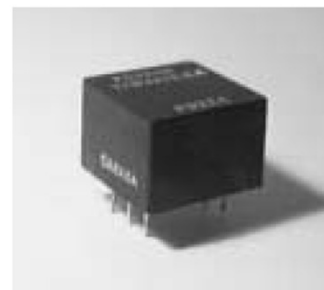
TEW5281-3 is designed to be used as an input transformer for:

- Dallas DS5151Q
DS5153Q

Complies with ANSI T1.408 and CCITT I.431 with regards to Longitudinal Balance, and with T1.408, G.703 and BS6328 for the Return Loss.

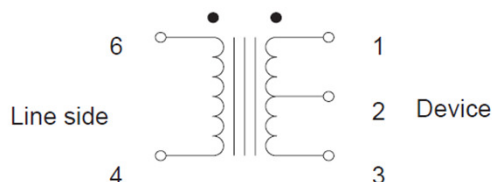
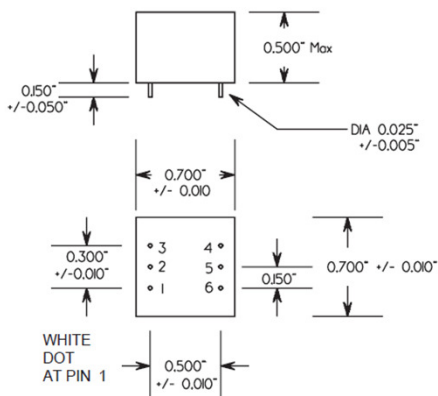
Typical applications are:

- Primary rate ISDN network nodes.
- PBX or computer to T1/CEPT Digital Trunks.
- TDM Multiplexers.



Designed to meet reinforced insulation to EN60950 & EN41003

MECHANICAL



ELECTRICAL SPECIFICATIONS

	TEW5281-1	- 2	-3
Line Impedance	100, 120 Ω	75 Ω	75,100 120
DCR (Ohms)	nom (1 - 3) nom (6 - 4)	1.55 0.85	1.11 0.55
Turns Ratio	(6 - 4):(1 - 3)	1 : 2	1 : 1
Inductance (mH)	(6 - 4)	> 3.5	> 0.7 1.8
Pulse Mask	T1 & CEPT	CEPT	T1 & CEPT
Longitud. Bal.	T1.408 & I.731	I.431	T1.408 & I.731
Return Loss	T1.408 G.703	G.703 BS6328	T1.408 & G.703
Dielectric Strength (Vrms)	4000	4000	4000