

## CEPT/T1

## Output Transformer

## TEW5313

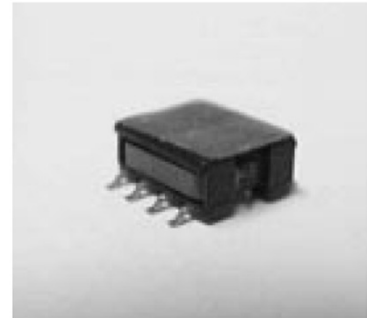
TEW5313 is designed and approved to be used as a transmit transformer in T1/CEPT applications with the following devices:

- Crystal CS61535A,  
CS61574A  
CS61575  
CS6158A
- Level 1 LXT304A  
LXT305A

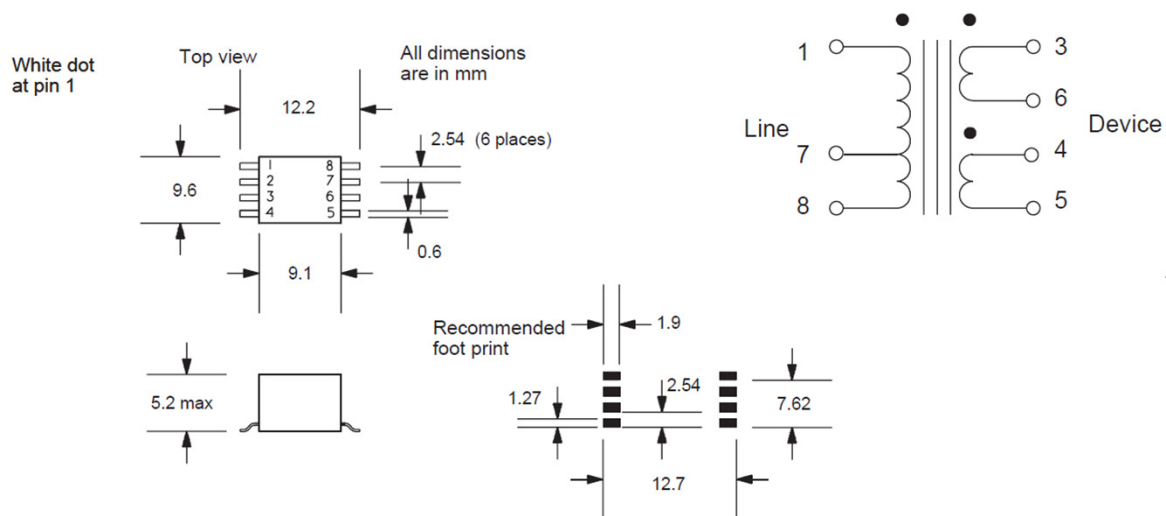
Complies with ANSI T1.408 and CCITT I.431 with regards to Longitudinal Balance.

Typical applications are:

- Primary rate ISDN network nodes.
- PBX or computer to T1/CEPT Digital Trunks.
- TDM Multiplexers.



### MECHANICAL



ELECTRICAL SPECIFICATION		TEW5313-1	- 2	- 3	- 4
Line Impedance	(1 - 8) (1 - 7)	100 $\Omega$	75 $\Omega$	120 $\Omega$	120 $\Omega$ 75 $\Omega$
Turns ratio	(3 - 5) : (1 - 8) (3 - 5) : (1 - 7)	1 : 1.16 n/a	1 : 1 n/a	1 : 1.26 n/a	1 : 1.26 1 : 1
Inductance (mH)	(1 - 8)	> 1.8	> 1.5	> 2.0	> 2.0
DCR (Ohms)	(1 - 8) (3 - 5)				
Longitud. Bal.		T1.408	I.431	I.431	I.431
Pulse Mask		T1/CEPT	CEPT	CEPT	CEPT
Dielectric Strength (Vrms)		1500	1500	1500	1500