

ISDN

U-BUS/DNIC Input/Output Transformer

TEW5318

TEW5318 is designed to interface with the subscriber premises (NT) and the 2-wire line side of the central office equipment (LT) in the ISDN system.

TEW5318 meets the requirements for the **Mitel MT8972** and **MT8971B/72B** devices.

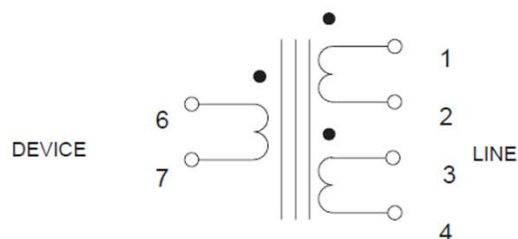
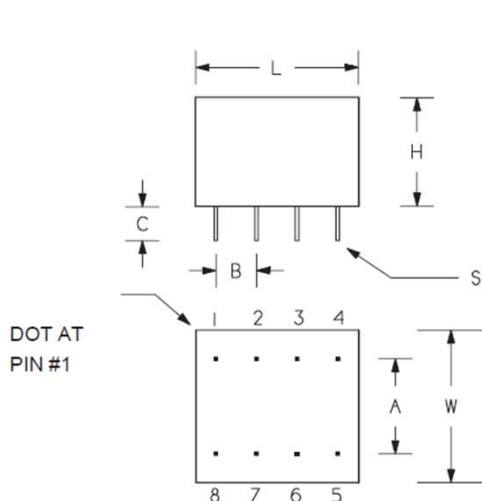
Features:

- Low profile construction.
- Handles 100 mA unbalanced line current.

TEW5318-1 is supplied with a "Flux-band" for additional cross talk suppression.



MECHANICAL



DIMENSIONS, Inches (mm)

P/N	L	W	H	A	B	C	S
TEW5318	0.87 (22.0)	0.83 (21.0)	0.63 (16.0)	0.60 (15.3)	0.20 (5.1)	0.12 (3.0)	0.025 (0.64)

ELECTRICAL SPECIFICATIONS

Line Impedance

TEW5318

TEW5318-1

Inductance

(6-7)

30 mH

30 mH

Leakage Inductance
(short 2-3 & 1-4)

(6-7)

95 μ H

95 μ H

Winding Resistance

(1-2) + (3-4)

3.5 Ω

3.5 Ω

(6-7)

6.5 Ω

6.5 Ω

Turns Ratio

(6-7):(1-2):(3-4)

4:1:1

4:1:1

DC Capability (Line Side)

(1 - 4)

100 mA

100 mA

Dielectric Strength

1500 V rms

1500 V rms

Flux-band provided

no

yes