

## CEPT/T1

## Input/Output Transformer

## TEW5376

TEW5376 is designed to be used either as a transmit or as a receive transformer in the ISDN primary rate access network, for the following devices.

Siemens PEB2235  
PEB2236

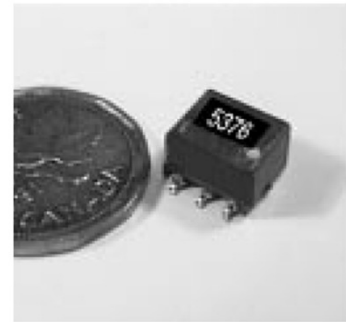
SGS-THOMSON STLC5432

Complies with ANSI T1.408 and CCITT I.431, with regards to Longitudinal Balance and with T1.408 and G.703 for the return Loss.

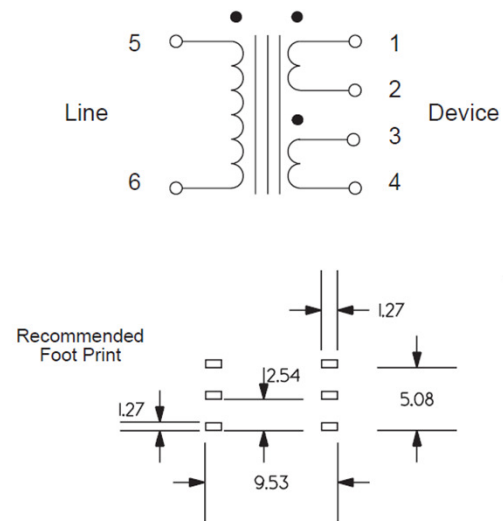
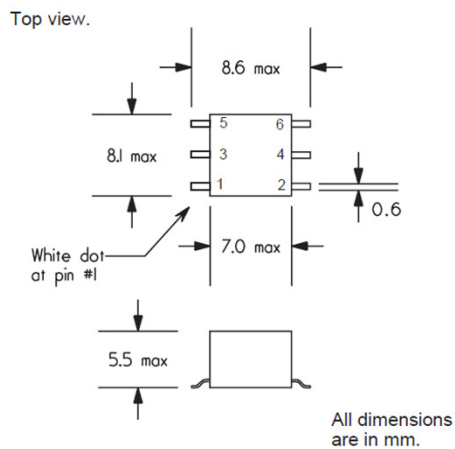
When in transmit mode, connect the two primary windings in parallel, pins 1 to 3 and 2-4. When in receive mode, connect the two primary windings in series, pin 2 to pin 3.

Typical applications are:

- Primary rate ISDN network nodes.
- PBX or computer to T1/CEPT Digital Trunks.
- TDM Multiplexers.



### MECHANICAL



### ELECTRICAL SPECIFICATION

### TEW5376-1

### TEW5376-2

### TEW5376-3

Line Impedance	(5-6)	100 $\Omega$	75 $\Omega$	120 $\Omega$
Turns ratio	(1-2) : (3-4) : (5-6)	1 : 1 : 2.67	1 : 1 : 1.57	1 : 1 : 2
Inductance (mH)	(5-6)	> 2.2	> 0.75	> 1.2
Pulse Mask		T1	CEPT	CEPT
Longitud. Bal.		T1.408	I.431	I.431
Return Loss		T1.408	G.703	G.703
Dielectric Strength (Vrms)		1500	1500	1500