

ISDN

U-BUS/DNIC Input/Output Transformer

TEW5413

TEW5413 is designed to interface with **Mitel MT8972** and **MT8971B/72B** DNIC devices.

TEW5413 has the following features.

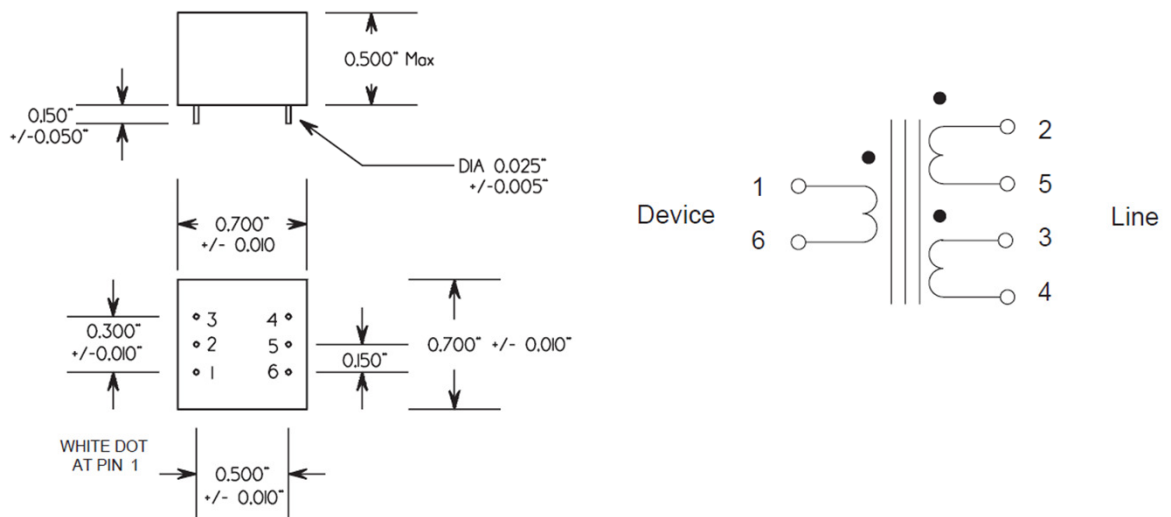
- Low profile
- Epoxy encapsulated
- Up to 15 mA unbalanced dc line current.

Applications:

- Digital subscriber lines.
- High speed data transmission over twisted pair.
- Digital PABX line cards and telephone sets.



MECHANICAL



ELECTRICAL

Turns ratio	(1-6):(2-5):(3-4)	4:1:1
DCR	(1-6)	6.1 Ω
	(2-5)	2.1 Ω
	(3-4)	2.1 Ω
Inductance	(1-6)	> 30 mH
Leakage Inductance	(1-6)	< 70 μH
DC capability, line side	(2-4)	15 mA
Dielectric Strength		1500 V rms