

CEPT/T1

Output Transformer

TEW5502

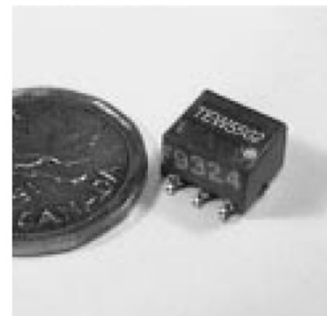
TEW5502 is designed and approved to be used as an OUTPUT transformer in T1/CEPT applications with the following devices:

Crystal 61535A, 61574A
61575, 6158A

Level One 304A, 305A

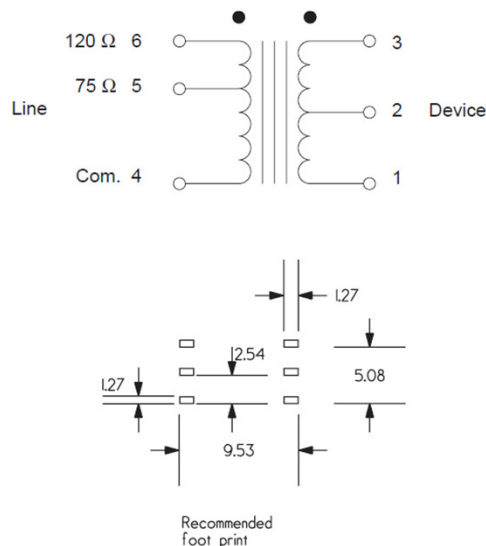
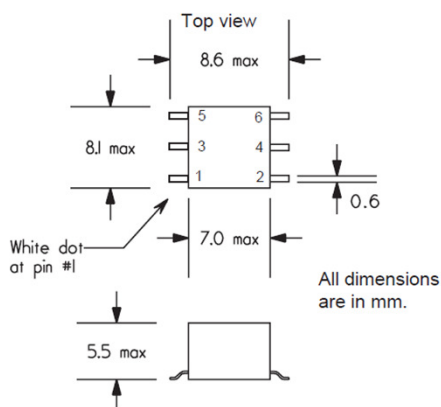
Typical applications are:

- Primary rate ISDN network nodes.
- PBX or computer to T1/CEPT Digital Trunks.
- TDM Multiplexers.



Complies with ANSI T1.408 and CCITT I.431 with regards to Longitudinal Balance.

MECHANICAL



ELECTRICAL SPECIFICATION		TEW5502-1	- 2	- 3	- 4
Line Impedance	(4 - 6) (4 - 5)	100 Ω	75 Ω	120 Ω	120 Ω 75 Ω
Turns ratio	(1 - 3) : (4 - 6) (1 - 3) : (4 - 5)	1 : 1.15 n/a	1 : 1 n/a	1:1.26 n/a	1 : 1.26 1 : 1
Inductance (mH)	(4 - 6)	> 1.8	> 1.5	> 2.0	> 2.0
DCR (Ohms)	(4 - 6) (1 - 3)				
Longitud. Bal.		T1.408	I.431	I.431	I.431
Pulse Mask		T1	CEPT	CEPT	CEPT
Dielectric Strength (Vrms)		1500	1500	1500	1500