

ISDN S-Bus

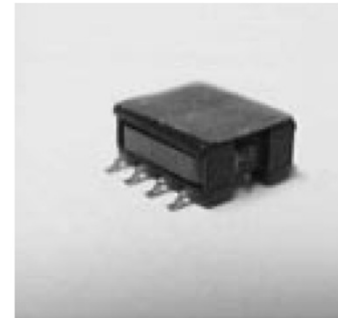
Common Mode Inductor

CES5622

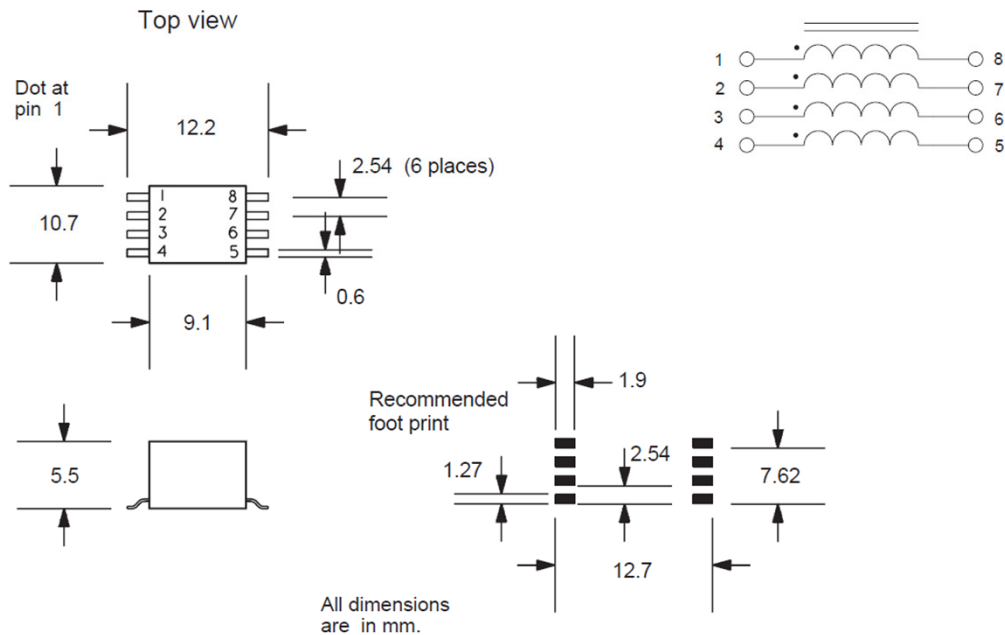
CES5622 is a surface mount 4-winding common mode inductor.

It is specifically designed to suppress EMI on the 4-wire S-Bus in the ISDN system.

The windings are extremely well balanced in order to provide the required Longitudinal Balance laid down in CCITT I.430.



MECHANICAL



ELECTRICAL SPECIFICATION

DCR	(Ohms)	each winding	3.4
Inductance	(mH)	each winding	4.7
Rated current	(mA dc)		100
Dielectric Strength	(V rms)		500