

T1/CEPT

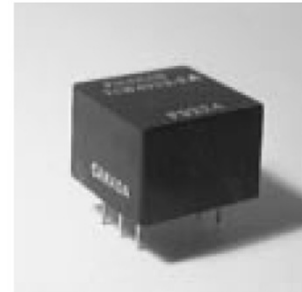
High Voltage Isolation Transformer

TEW5767

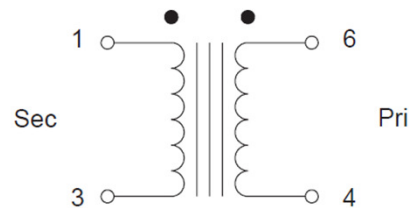
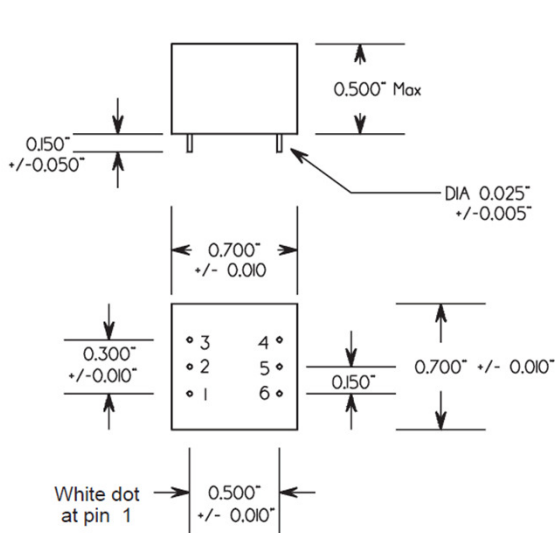
TEW5767 is specifically designed to be used as a high voltage isolation transformer in T1 and CEPT applications.

The Return Loss exceeds the requirements of CCITT G.703.

The Longitudinal balance exceeds the requirements of CCITT I.431.



MECHANICAL



ELECTRICAL SPECIFICATIONS			TEW5767-1	-2
Impedance	Ω	Line. (4 - 6)	100 or 120	75
	Ω	Device (1 - 3)	100 or 120	120
Turns ratio		(4 - 6) : (1 : 3)	1 : 1	1 : 1.26
Inductance	mH	(4 - 6)	> 3	> 1.7
Pulse Mask			T1/CEPT	CEPT
Longitudinal Bal.			T1.408, I.431	I.431
Return Loss			T1.408, G.703	G.703
Dielectric Strength	Vrms	(4 - 6) to (1 - 3)	4000	4000