

ISDN

U-BUS Input/Output Transformer

TEW6018

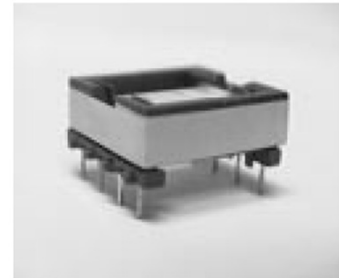
TEW6018 is designed to interface with the subscribers premises (NT) and the 2-wire line side of the Central Office Equipment (LT) in the ISDN Network.

TEW6018 meet the electrical requirements for the **MOTOROLA MC145572** device.

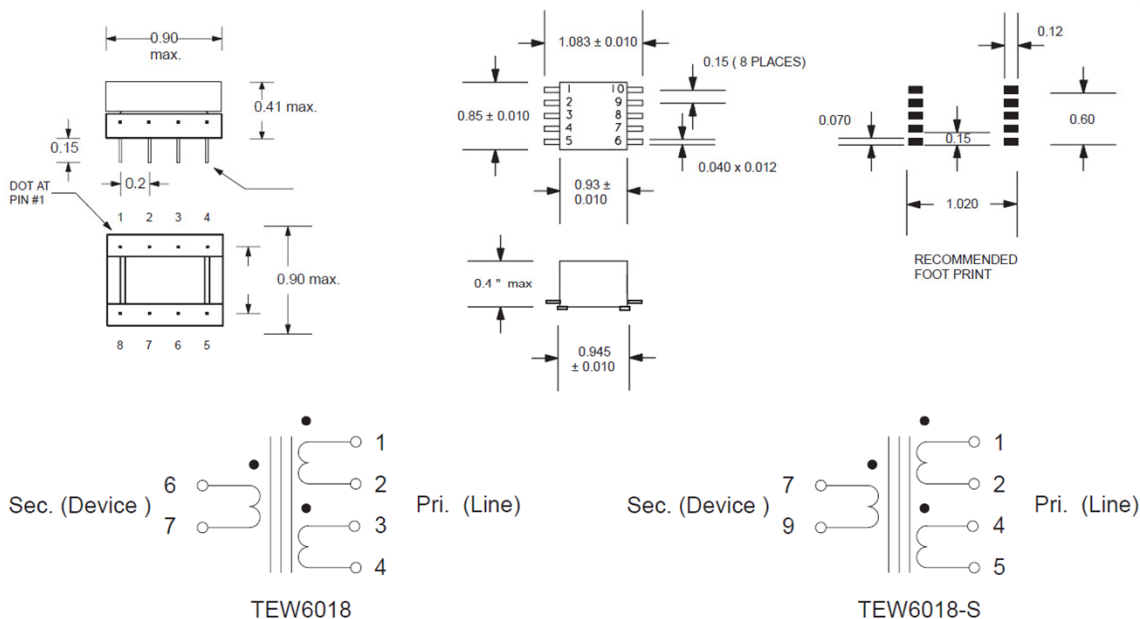
TEW6018-S is the SMD version

Features:

- Low profile construction.
- Up to 50 mA line current.
- TEW6018 meets the requirements of BS6301 for reinforced insulation, clearance and creepage distances between the line and the device side.



MECHANICAL



ELECTRICAL		TEW6018	TEW6018-S
Line Impedance		135 Ω	135 Ω
Inductance	Pri.	> 28 mH	> 28 mH
Leakage Inductance	Sec.	< 20 μH	< 20 mH
Winding Resistance	Pri.)	5.4 Ω nom.	5.4 Ω nom.
	Sec.)	5.7 Ω nom.	5.7 Ω nom.
Turns Ratio	Sec. : Pri.	1 : 1.25	1 : 1.25
Longitudinal Balance	1 - 4 KHz	> 60 dB	> 60 dB
	4 - 160 KHz	> 55 dB	> 55 dB
DC Capability (Line Side)	Pri.	50 mA	50 mA
Dielectric Strength		4000 V rms	4000V