

LAN

Matching Transformer

TTW6176

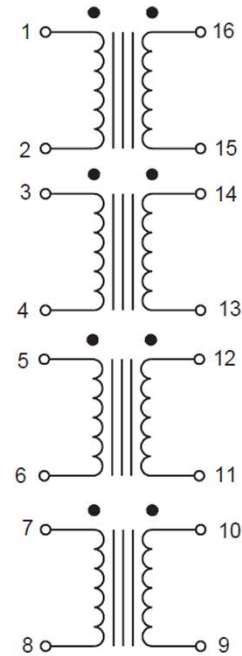
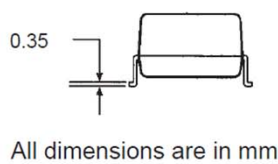
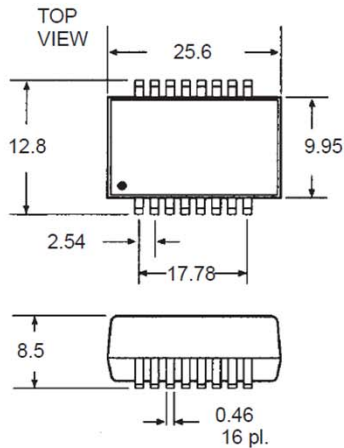
SCOPE

The TTW6176 Quad transformer unit was designed to provide insulation of four twisted pairs in a Local Area Network.

It is based on the Ethernet data link protocol which uses base-band signaling at 10Mbps.



MECHANICAL



ELECTRICAL

Inductance	each winding	140 μ H min
Leakage Inductance	each winding	0.2 μ H max
Winding Resistance	each winding	0.3 Ω max
Interwinding Capacitance		12 pf max
Turns Ratio		1:1 x 4
Dielectric Strength		1500 V rms