

ISDN S-Bus

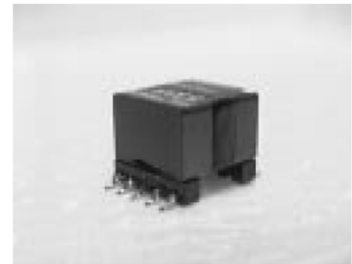
Input/Output Transformer

TEW6197

The 4 wire interface between Subscriber Terminals and the Network Termination has been standardized by CCITT recommendation I.430. It uses a passive bus which provides separate receiver and transmit loops operating at 192 Kbits/s.

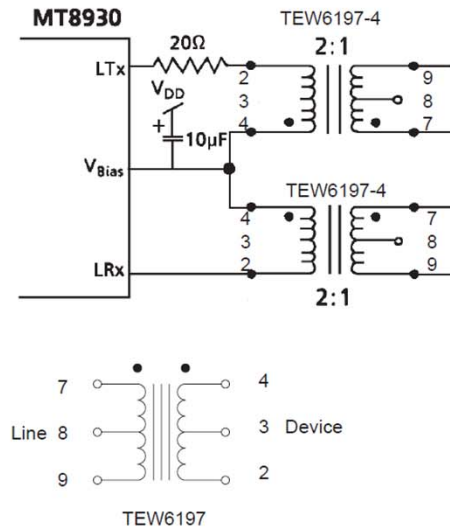
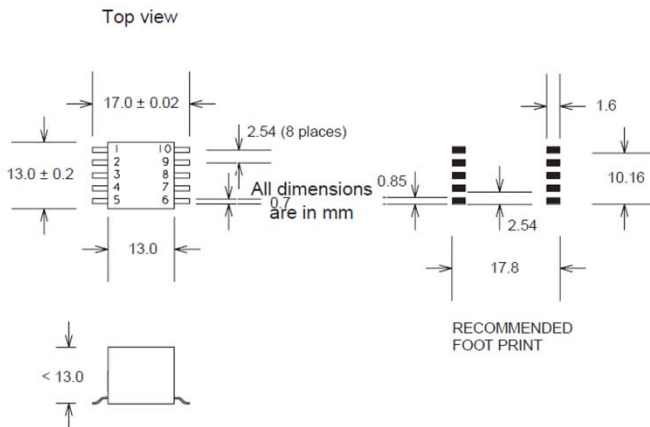
Two versions of TEW6197 have been designed and approved for use with the following devices:

| | | |
|-----------|---------|--|
| TEW6197 | Siemens | PEB2080 PEB2081 PEB2085 PEB2086 |
| | AMD | Am79C30A |
| TEW6197-4 | Mitel | MT8930A MT8930B MT8931B |



(See schematic below for correct connections.)

MECHANICAL



ELECTRICAL

| | TEW6197 | TEW6197-4 |
|----------------------------|---|-------------------------------|
| Device | PEB2080 PEB2085 PEB2086 Am79C30A | MT8930A MT8930B MT8931B |
| Turns ratio | (7 - 9) : (4 - 2) | 1 : 2 |
| Inductance | (7 - 9) | > 22 mH |
| Leakage Ind. | (7 - 9) | < 12 μH |
| DC Resistance | (7 - 9) (4 - 2) | 1.0 Ω 9.0 Ω |
| Output Impedance | Conforms to the impedance mask specified in I.430 | |
| Pulse Characteristics | Conforms to the pulse mask specified in I.430 | |
| Dielectric Strength, (rms) | 1500 V | 1500 V |