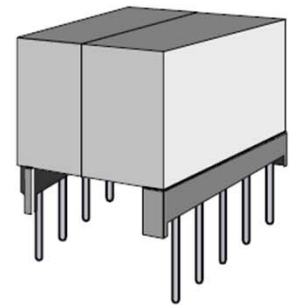


HDSL

Input/Output Transformer

TEW6575

TEW6575 is designed to be used as an input/output transformer in HDSL applications for use with Brooktree BT8973.



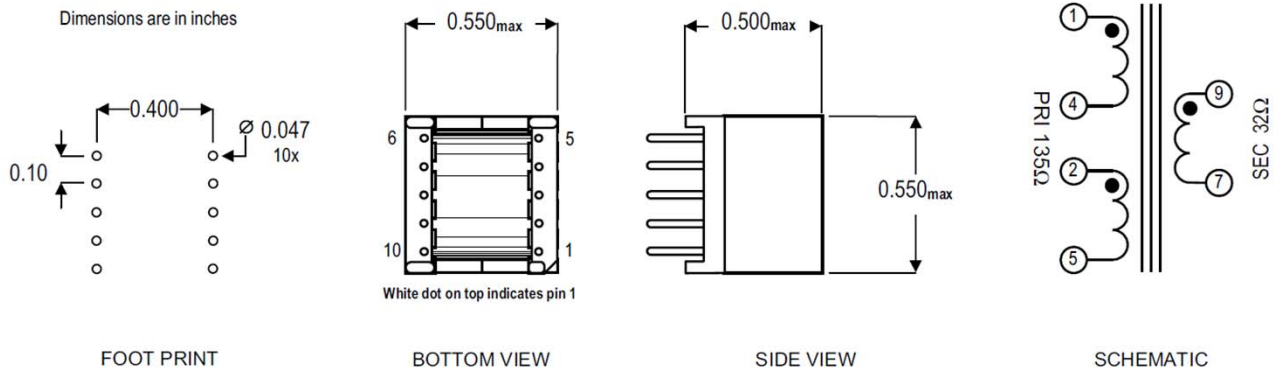
Features:

- Up to 160mA loop current.
- Low distortion.
- Excellent Longitudinal Balance.

Applications:

- HDSL services.
- High speed data transmission over twisted wire.

MECHANICAL



ELECTRICAL

Line impedance	(Ohms)		135
DCR	(Ohms)	(1-5)	<2.5
		(9-7)	<1.0
Inductance	(mH)	(1-5)	2.0 ± 6%
Leakage inductance	(uH)	(1-5)	<11
Insertion Loss @ 40 kHz	(dB)		<0.5
Frequency Response	(dB)	33 to 110 kHz	+/- 0.1
Return Loss	(dB)	40 to 300 kHz	>16.5
Longitudinal Balance	(dB)	4.0 to 300 kHz	>50
Turns Ratio		(1-5) : (9-7)	2 : 1
Distortion, THD	(dB)	4.5V _{p/p} 20 kHz	>70
Dielectric Strength	(V _{AC})	(1-5) to (9-7)	> 2050
Operating Temperature	(°C)		-40 to 85