

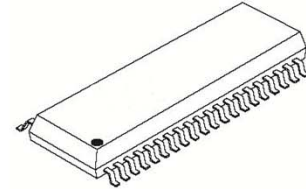
LAN

10/100 Base-TX Quad Port

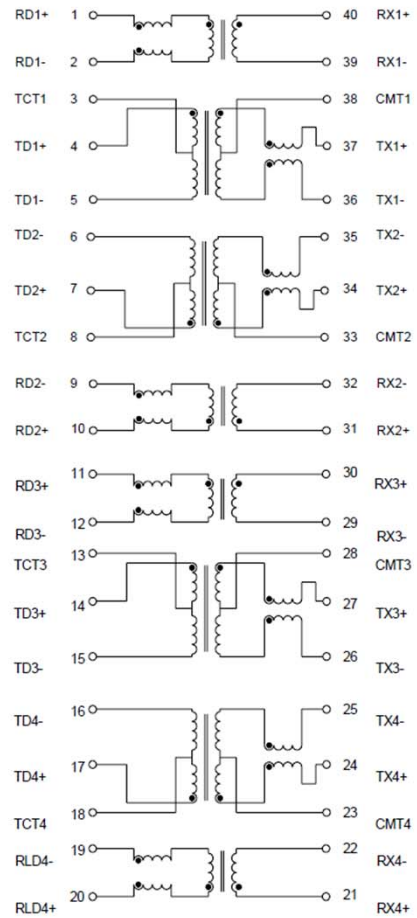
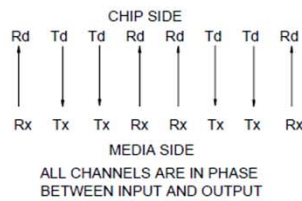
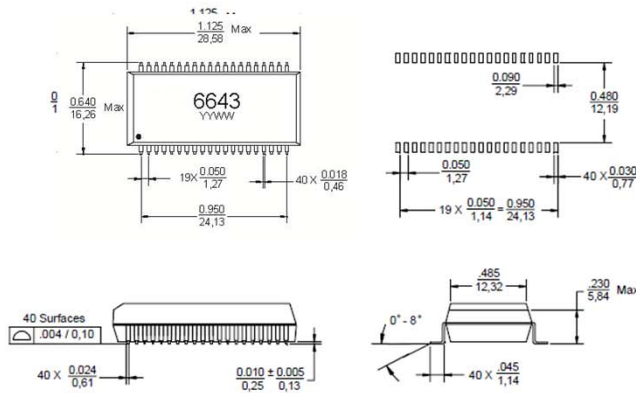
6643

The 6643 is designed to support four (4) single or double stacked RJ-45 connectors and incorporates a unique patented interlock base design.

- Unit is compliant with IEEE 802.3 μ and ANSI X3.263 standards including 350 μ H OCL with 8 mA bias from 0 °C to 70 °C.
- IC grade transfer –molded package withstands 235 °C peak reflow temperature profile.



MECHANICAL



ELECTRICAL SPECIFICATION

Return Loss: 2 – 30 MHz	> 21 dB	Inductance @ 100 kHz	
40 MHz	> 17 dB	0.1 VAC 8 mA DC:	>350 μ H
50 MHz	> 14.5 dB	Common to Common	
60 – 80 MHz	>12 dB	Reject Ratio 0.1 – 60 MHz:	Transmit 30 dB TYP
Crosstalk: 1 MHz	65 dB TYP		Receive 30 dB TYP
30 MHz	55 dB TYP	Differential to Common	
60 MHz	45 dB TYP	Mode Rejection 1-60 MHz:	40 dB TYP
100 MHz	35 dB TYP	60-200 MHz:	30 dB TYP
Insertion Loss 0.1 – 100 MHz:	<1.1 dB	Dielectric Test:	1500 VAC