

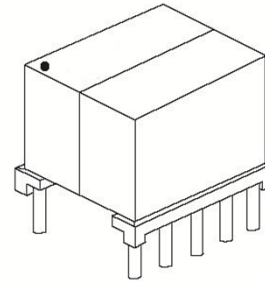
ADSL

Transformer

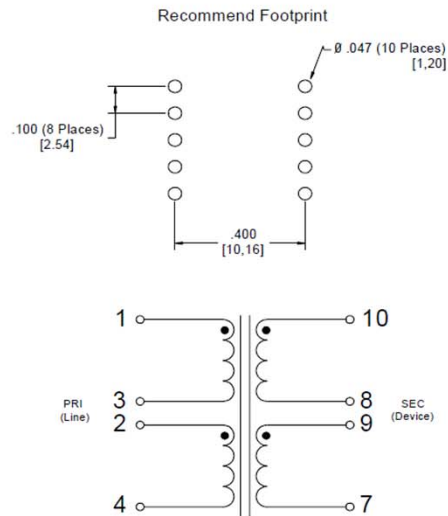
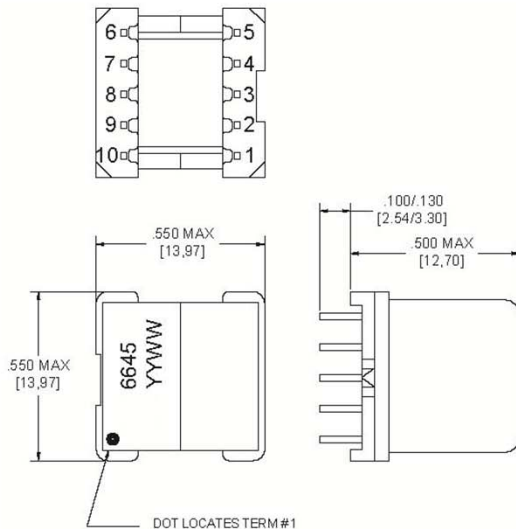
6645

The **6645** is approved for use with Globespan ADSL / RADSL Line Driver IC (EL-1501) at the customer premises.

- Meets supplementary insulation requirements of IEC950 for a working voltage of 250 volts.



MECHANICAL



ELECTRICAL SPECIFICATION

Resistance:1-3 0.66 ohms \pm 10 %
2-4 0.66 ohms \pm 10 %
9-7 0.56 ohms \pm 10 %
9-8 0.56 ohms \pm 10 %
 Longitudinal Balance:55 dB min., 20 kHz to 1 MHz
 Frequency Response:3.0 dB max., 30 kHz to 2 MHz
 Insertion Loss:0.5 dB max., at 772 kHz
 Inductance:407.5 μ H \pm 5 %, 10 kHz,
1.00 mVAC. 1-4 short (2+3)

Leakage Inductance:10.0 μ H Max., 100 kHz,
100 mVAC. 1-4 short (2+3,8+9,7+10)
 Turns Ratio : PRI – SEC:1 : 1 \pm 2 %
 Total Harmonic Distortion:85 dB min., 100 kHz,
15 Vp-p drive signal at PRI.
 Dielectric Test:1875 VAC, PRI – SEC