

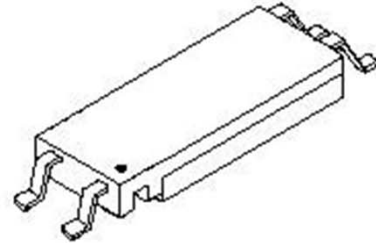
V.90

Modem Transformer

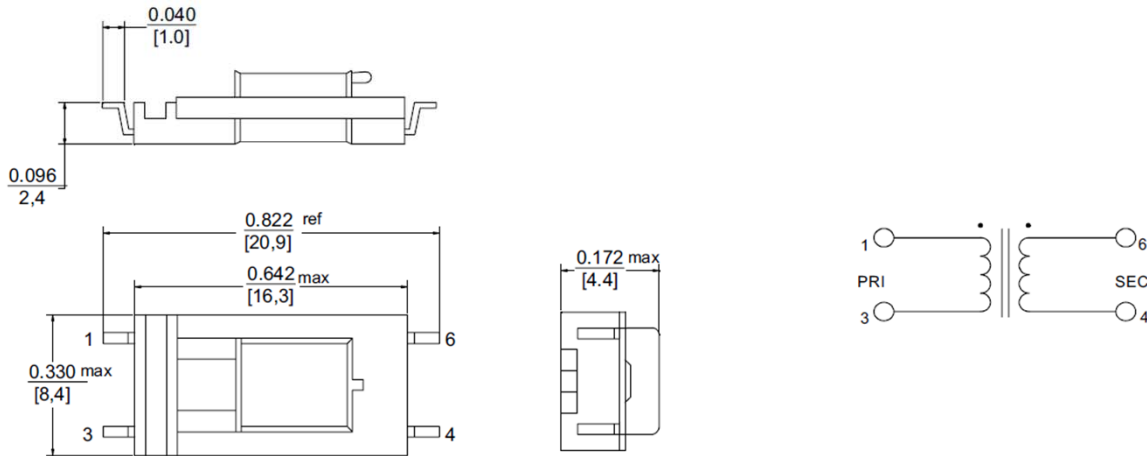
6647

The **6647** is designed for V.90 applications and for PCMCIA type II cards to reflect 600 ohms on PRI with 287 ohms on SEC.

- Designed to IEC950 supplementary insulation.
- Low distortion, specifically designed for V.90 applications.
- Available in tape and reel.



MECHANICAL



ELECTRICAL SPECIFICATION

DC Resistance @ 20 °C:

PRI: 150 ohms ±10 %
SEC: 145 ohms ±10 %

Frequency Response: ± 1.00 dB, 200 Hz to 4 kHz

Dielectric Test: 1650 VAC, PRI – SEC

Inductance: 1.5 H min., 1 kHz,
..... 1.0 VAC, 1-3

DC in PRI: None

Return Loss: 14 dB min., 200 Hz to 4 kHz.

Turn Ratio: 1 : 1 ± 2 %

Total harmonic Distortion: -85 dB Max. @ 600 Hz,
..... -10 dB m (V.90)