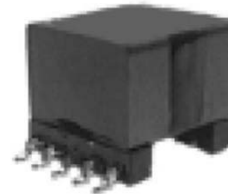


# ADSL

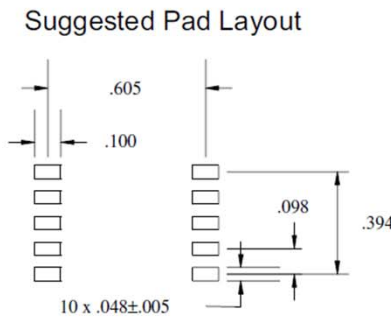
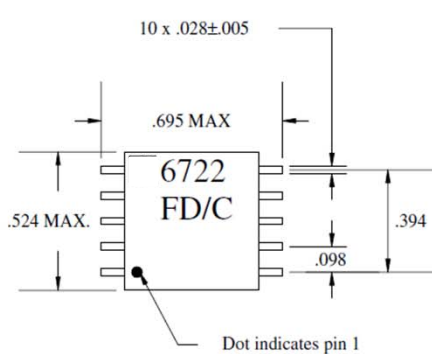
# Input/Output Transformer

# 6722

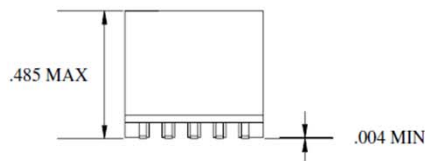
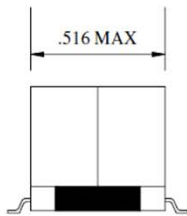
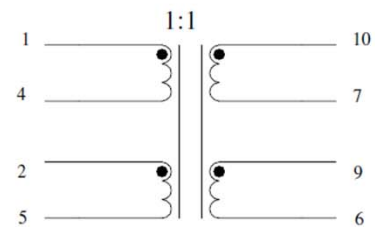
- Designed for use with Globespan G7000 ADSL Chipset
- Better than 80dB THD.
- Exceeds IEC 950 supplementary insulation requirements for working voltages up to 250 Vrms.



## MECHANICAL (All dimensions in inches)



## Schematic



## ELECTRICAL SPECIFICATION @ 25°C

- LOAD RESISTANCE: 100 OHMS
- THD-Typical (linearity): -80dB @ 100kHz

Turns Ratio (±2%)	OCL @ 10KHz, 0.1V (uH ± 10%)		Leakage Inductance @ 100 kHz, 0.1V (1-5), 2-4, 7-9, 10-6	Longitudinal Balance (25KHz - 1.1MHz)	Insertion Loss (dB @ 772 kHz)	DC Resistance (Ω MAX)		Isolation Voltage (Vrms)
	(1-5), 2-4	(10-6), 7-9				Line Side (1-4) = (2-5)	Chip Side (10-7) = (9-6)	
1:1	430	430	10.0 uH MAX	40 dB MIN	<0.5	0.45 MAX	0.35 MAX	1875