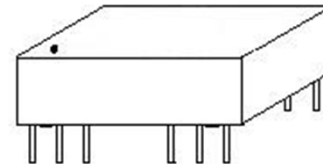


LAN

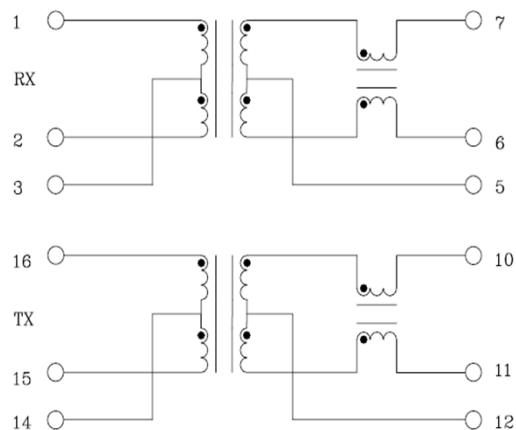
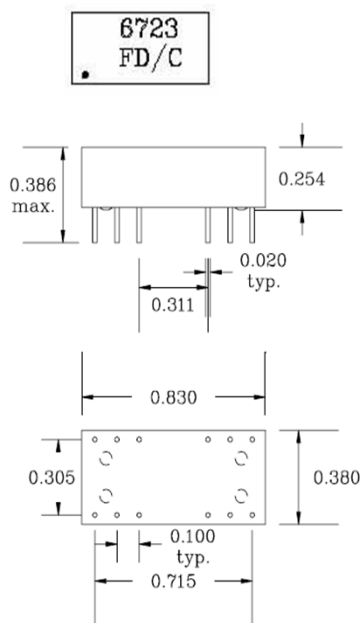
**10 BASE-T / 100 BASE-T
 Single TX Transformer**

6723

- Primary Inductance of 350uH min. with 8mA DC Bias.
- PTH type
- IEEE802.3u



Mechanical and Schematic (All dimensions in inches)



ELECTRICAL SPECIFICATION @ 25°C

Turns Ratio TX/RX	Insertion Loss dB typ. 0.1-100MHz	Return Loss dB 30/60/80MHz	Cross Talk dB typ. 60/100MHz
1:1 / 1:1	1.0	-16 / note / -10	-40 / -38

Note: Greater than 16-20log(f/30MHz)