

LAN

10Base-T Single Port Module

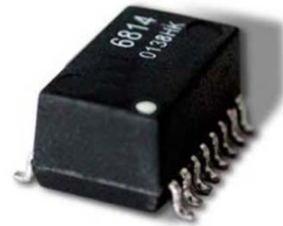
6814

- Low profile
- Operating temperature 0° to 70°C
- 2000Vrms isolation

Designed for use with the following devices:

Level One LXT901, LXT907, LXT914

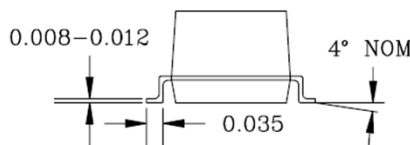
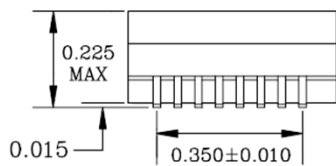
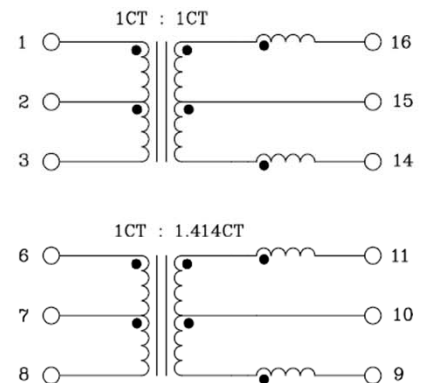
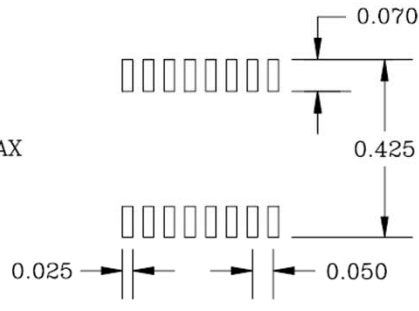
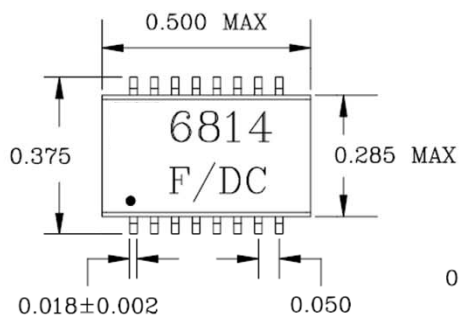
Texas Instruments . . . TNETE 2004



Mechanical and Schematic (All dimensions in inches)

SUGGESTED PAD LAYOUT

SCHEMATIC



ELECTRICAL SPECIFICATION @ 25°C

Part Number	L (μH MIN)	Insertion Loss (dB MAX)	Return Loss (dB MIN)	Crosstalk (dB MIN)	Common to Common Mode Rejection (dB MIN)	
		1MHz - 10 MHz	1MHz - 10MHz	1MHz - 10 MHz	10MHz - 30MHz	30MHz - 100MHz
6814	110	-1.0	-15	-40	-40	-30