

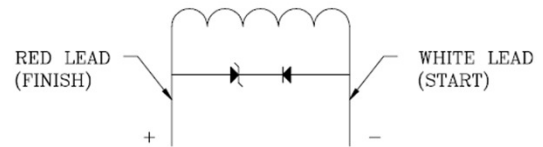
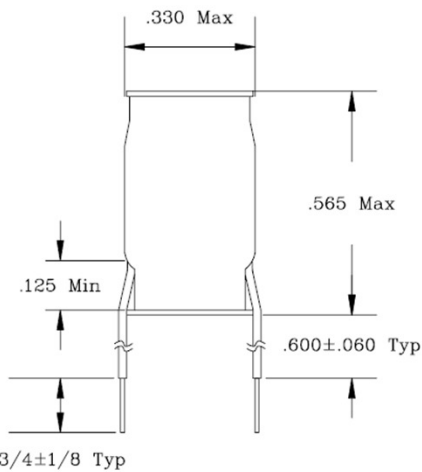
Coil Suppressor Assembly

7398

- Flexible leads for internal mounting across coil
- High energy loss in Zener diode assures rapid contact release
- Fully tested after burn in
- High resistance to shock and vibration



MECHANICAL AND SCHEMATIC (All dimensions in inches)



ELECTRICAL SPECIFICATION @ 25 °C

	V_R $I_R = 100 \mu A$ (V min)	I_R		V_F @100 mA (V max)	V_Z @ $V_R = 7.0$ mA (V +/- 5%)
		@ $V_R = 480V$ (μA max)	@ $V_R = 27.4V$ (mA max)		
Standard Diode	600	1.0		1.2	
Zener Diode			5.0		36

Coil Data :

- 1) D.C.R. min 460 Ω / max 540 Ω .
- 2) V.D.C. rating 28 V nom.