

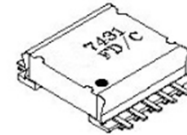
UDLT-3

Input/Output Transformer

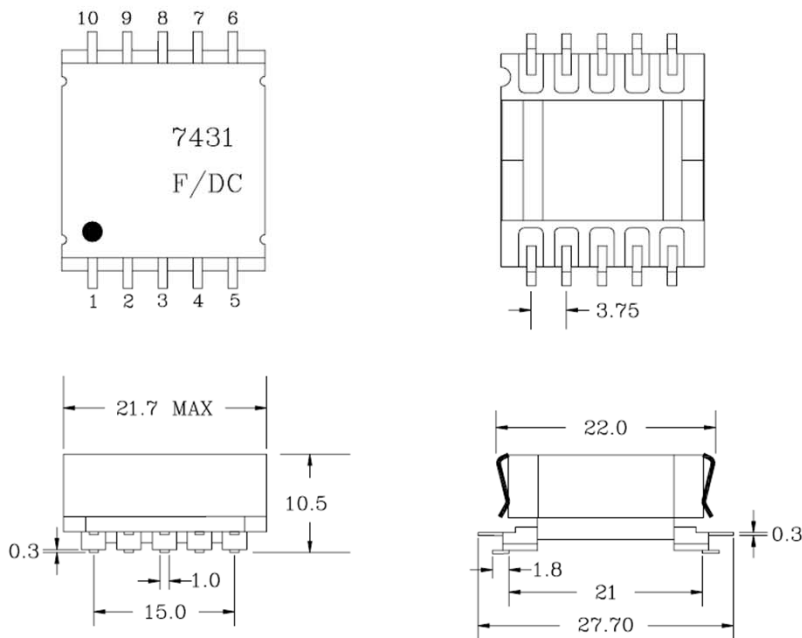
7431

7431 is designed to interface with the Motorola MC145423 which combines the functionality of the UDLT-1 and UDLT-2.

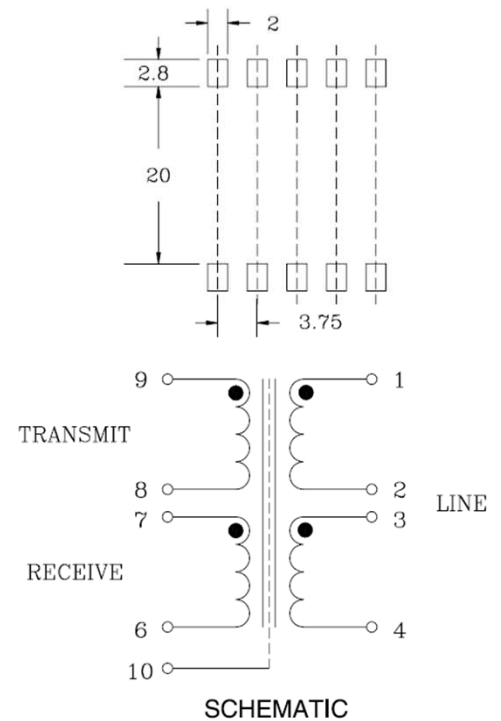
- Low Cost
- Tape and reel available for high volume production



MECHANICAL AND SCHEMATIC (All dimensions in millimetres)



SUGGESTED PAD LAYOUT



ELECTRICAL SPECIFICATIONS @ 25°C

Line Impedance	110 Ω
Turns Ratio	(9-8):(1-4) 2:1
.....	(9-8):(7-6) 1:2
Inductance	(9-8) >1.75 mH
Bandwidth	10 kHz to 500 kHz min.
Longitudinal Balance	>60 dB
DC Capability (Line Side)	100 mA
Hipot	>1500 VAC
Operating Temperature	-40°C to +85°C