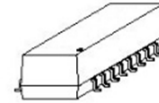
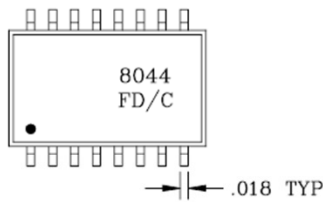


CHOKE Surface Mount Common Mode Choke 8044

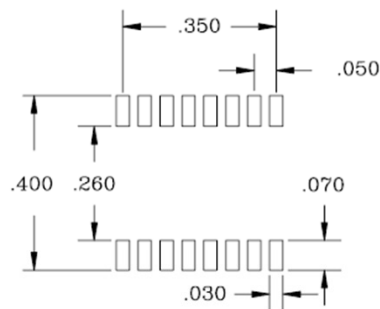
- Reduce radiated EMI emissions
- Filters common mode noise for EMI reduction
- Common mode attenuation from 100 kHz to 500 MHz



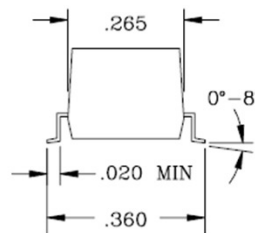
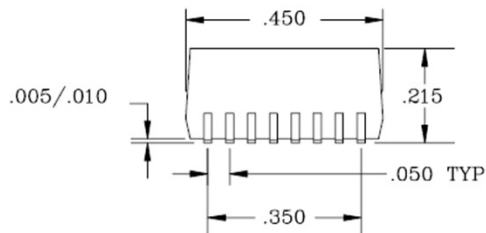
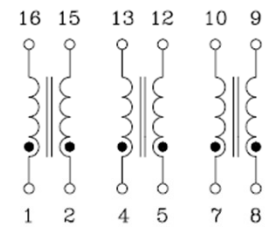
MECHANICAL AND SCHEMATIC (All dimensions in inches)



SUGGESTED PAD LAYOUT



SCHEMATIC



Unless otherwise specified
Tolerances: $\pm .005$

ELECTRICAL SPECIFICATION @ 25°C

Part Number	No. of Lines	Primary Inductance (μH MIN)	DCR (Ω MAX)	Common Mode Attenuation (dB TYP)							
				100 kHz	1 MHz	10 MHz	30 MHz	50 MHz	100MHz	300MHz	500MHz
8044	6	68	0.20	8	22	29	30	30	29	24	19