

## Common Mode Chokes

**8061-8069**

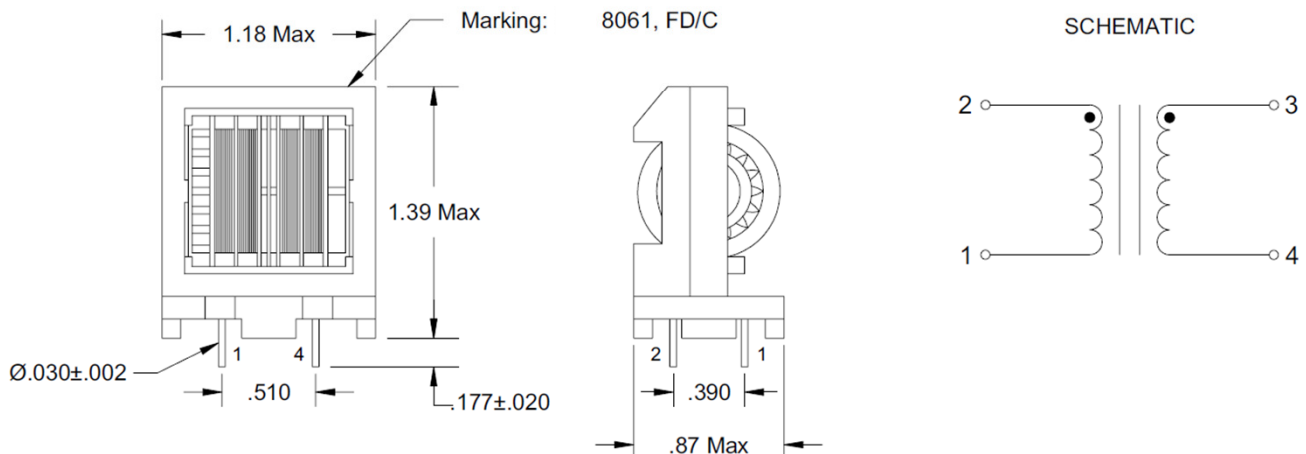
- Compact size, large inductance
- Excellent frequency characteristic
- Low magnetic flux leakage
- Complies with UL, VDE safety requirements

**Applications:**

- Switching power supplies
- Video and audio equipment
- Office equipment
- Communications equipment and other electronic devices



**MECHANICAL AND SCHEMATIC (All dimensions in inches)**



UNLESS OTHERWISE SPECIFIED, ALL TOLERANCES ARE ±0.010

**ELECTRICAL SPECIFICATION @ 25°C**

Part Number	Inductance (mH Min.)	Current Rating (Amps AC)	DCR (Ω Max.)
8061	5	3.00	0.10
8062	8	2.50	0.19
8063	10	2.00	0.25
8064	15.5	1.50	0.32
8065	25	1.00	0.60
8066	36	0.90	0.80
8067	66	0.70	1.50
8068	92	0.60	2.00
8069	120	0.50	2.60