

## Choke

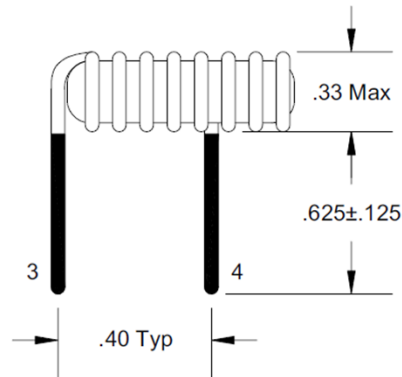
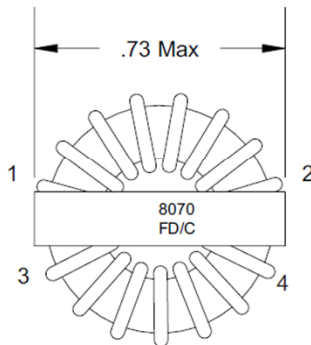
## Common Mode

## 8070

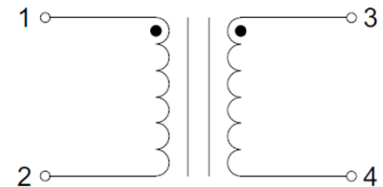
- Low cost.
- Current rating up to 1.8 A.
- Frequency range DC to RF.
- Pre-tinned radial leads for easy PCB mount.



### MECHANICAL AND SCHEMATIC (All dimensions in inches)



### SCHEMATIC



### ELECTRICAL SPECIFICATION @ 25°C

Turns Ratio	(±2%)	1-2 : 3-4	1:1
Inductance	@ 10 kHz, 0.1 V (Inductances to be balanced within 0.15 mH)	1-2 & 3-4	1.10 to 2.30 mH
Hi-Pot	@ 0.5 mA, 2 Sec	1-2 to 3-4	1500 Vrms