

RJ-45

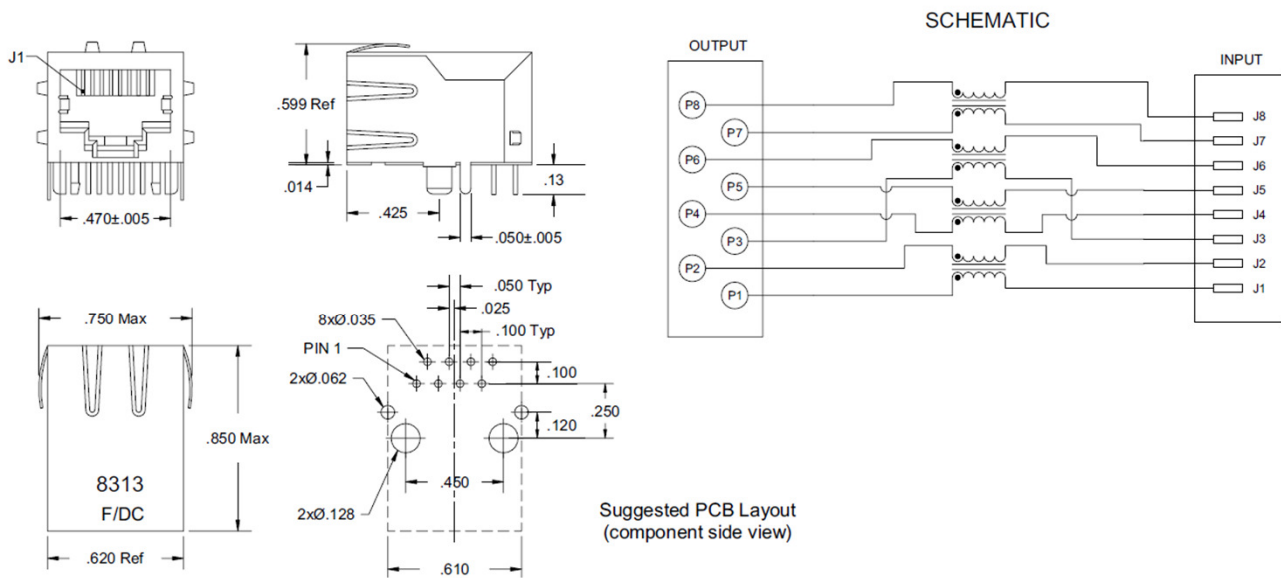
RJ-45 Connector with CMC

8313

- Same size as RJ-45 connector to save PCB board space
- Designed for reduced EMI radiation
- Operating temperature: 0°C to +70°C
- Storage temperature: +25°C to +125°C
- Operating life: 750 cycles Min.



MECHANICAL AND SCHEMATIC (All dimensions in inches)



UNLESS OTHERWISE SPECIFIED, ALL TOLERANCES ARE ±0.010

ELECTRICAL SPECIFICATION @ 25°C

Part Number	Turns Ratio (±2%)	DCR (Ω Max)	CMA [dB Min (dB Typ)]						Hi-Pot (VAC)
			1 MHz	5 MHz	20 MHz	70 MHz	200 MHz	500 MHz	
8313	P1-J1:P2-J2 = P3-J3:P6-J6 = P4-J4:P5-J5 = P7-J7:P8-J8 1:1	P8-J8 =P7-J7 P6-J6 =P3-J3 P5-J5 =P4-J4 P2-J2 =P1-J1 0.5	-5 (-8)	-15 (-17)	-15 (-23)	-20 (-25)	-17 (-22)	-6 (-11)	500