

RJ-45/USB

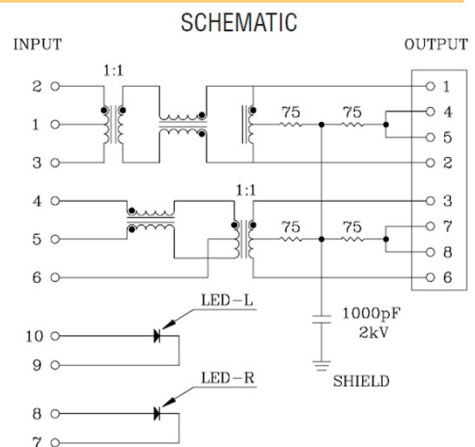
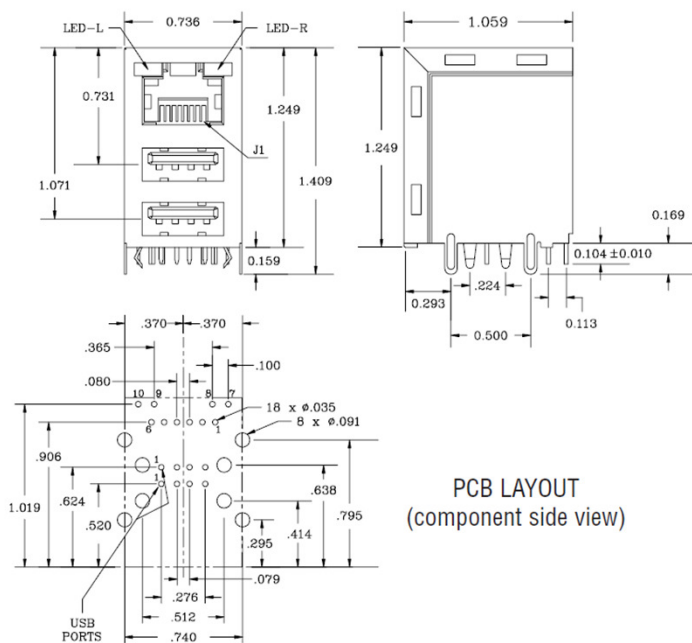
10/100 BASE-T Module with Dual USB

8321-8323

- Complies with IEEE standards and all 10/100 Ethernet specifications including 350µH with 8mA DC bias
- Various turns ratio options available
- Integrated Mag-modular design provides higher reliability and conserves minimizing PCB space
- Various LED options available
- Single port shield RJ-45 with dual USB
- Operating temperature: -40°C to +85°C



Mechanical and Schematic (All dimensions in inches)



Part Number	Description	
	LED-L	LED-R
8321	Yellow	Green
8322	Green	Yellow
8323	Green	Green

ELECTRICAL SPECIFICATION @ 25°C

Transmitter Filter				Receiver Filter			
Insertion Loss dB MAX	Return Loss dB MIN (load 100 Ω)			Insertion Loss dB MAX	Return Loss dB MIN (load 100 Ω)		
1-100 MHz	1-30 MHz	30-60 MHz	60-80 MHz	1-100 MHz	1-30 MHz	30-60 MHz	60-80 MHz
-1.0	-20	-15	-11	-1.0	-20	-17	-15

- Common Mode Rejection @1-100 MHz : -30dB MIN
- Crosstalk @1-100 MHz : -30dB MIN
- Primary Inductance @100kHz, 0.1Vrms, 8mA DC Bias (2-3), (4-5): 350µH MIN
- Hipot: Input(2-3) to Output(1-2): 1500Vrms, 1.0mA, 1sec
 Input(4-5) to Output(3-6): 1500Vrms, 1.0mA, 1sec