

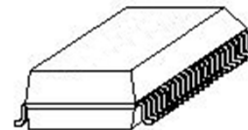
LAN

10/100 Base-TX Dual Port Transformer Modules

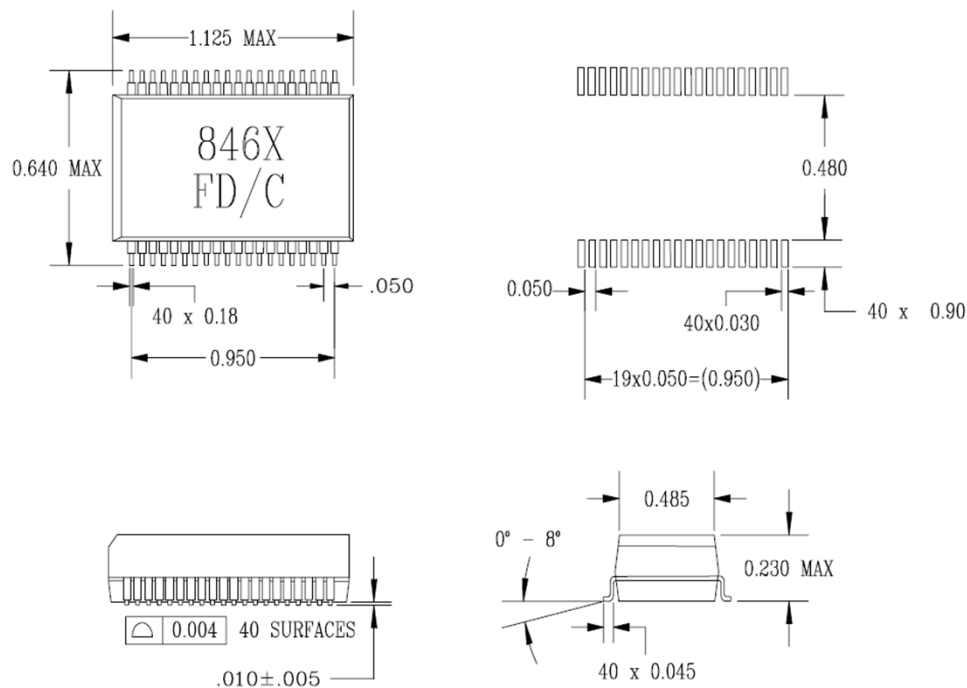
8460-8464

Designed to support two (2) RJ-45 connectors. These units are for use with transceivers requiring 1:1 transmit and receive turns ratios.

- Exceeds IEEE 802.3u and ANSI X3.263 standards including 350µH OCL with 8mA bias
- Modules can withstand a peak temperature profile of 235 °C.



MECHANICAL (All dimensions in inches)



ELECTRICAL SPECIFICATIONS @ 25°C

Part Number	Insertion Loss (dB TYP)	Return Loss (dB MIN)					Crosstalk (dB TYP)				Common to Common Rejection Ratio 0.1-60 MHz (dB TYP)		Differential to Common Mode Rejection (dB TYP)	
		0.1-100 MHz	2-30 MHz	40 MHz	50 MHz	60-80 MHz	1 MHz	30 MHz	60 MHz	100 MHz	Transmit	Receive	1-60 MHz	60-200 MHz
8460	-1.2	-16	-14	-13	-12	-50	-45	-40	-35	-40	-30	-37	-33	
8461	-0.5	-21	-17	-14.5	-12	-65	-55	-45	-35	-30	-30	-40	-30	
8462	-0.5	-21	-17	-14.5	-12	-65	-55	-45	-35	-45	-30	-53	-40	
8463	-0.5	-21	-17	-14.5	-12	-65	-55	-45	-35	-40	-30	-45	-35	
8464	-0.5	-21	-17	-14.5	-12	-65	-55	-45	-35	-40	-30	-45	-35	

NOTE: All models meet input/output breakdown (Hipot) of 1500 Vrms.

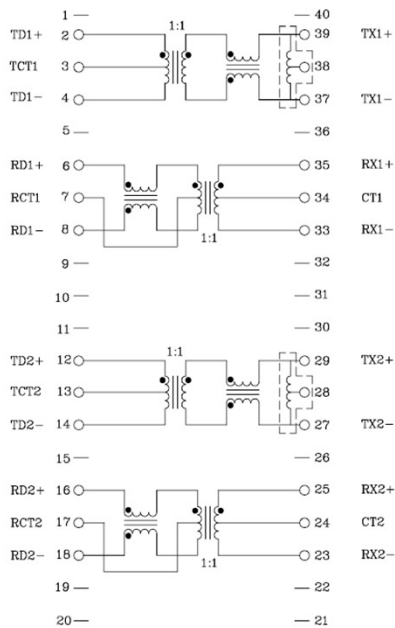
LAN

**10/100 Base-TX
Dual Port Transformer Modules**

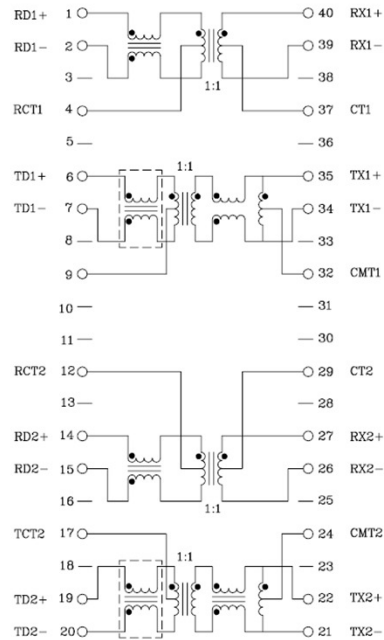
8460-8464

SCHEMATICS

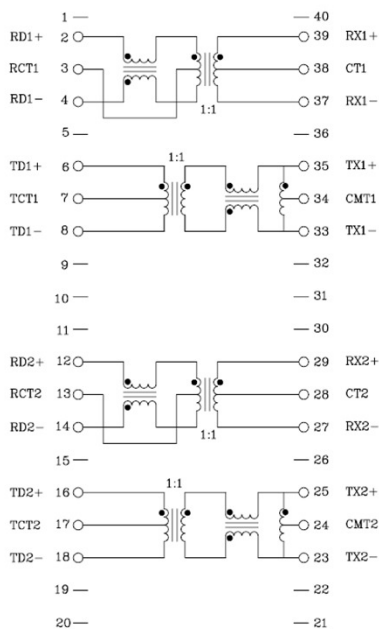
8460, 8461



8462, 8463



8464



NOTE: 8460 includes the shunt choke.

8462 has input common mode choke on pins 6-7 and pins 19-20.

8463 does not have additional choke.