

ISDN S-Bus

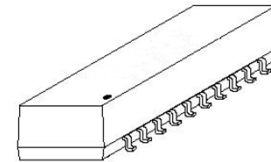
Input / Output Modules

8485-8489

Units matched to leading transceiver IC's. Meets impedance requirements of CCITT I.430 for both TE and NT over an extended temperature range -40 to + 85°C.

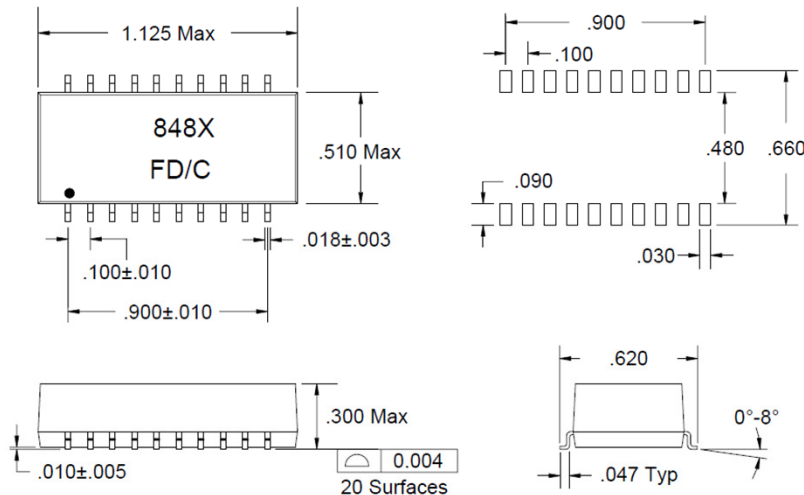
IC MFG.	FILTRAN P/N
AMD AM 79C 30A/32A	8487, 8489
LUCENT (AT&T) T7234, T7254, T7250, T7256, T7259 T7903	8486, 8488 8487, 8489
MIETEC MTC-2072	8487, 8489
MITEL MT8930/8931	8487, 8489
MOTOROLA MC145574	8486, 8488

IC MFG.	FILTRAN P/N
NATIONAL TP3420/3421	8487, 8489
SGS THOMSON ST5420/5421	8487, 8489
SIEMENS PEB2080/2081/2084/2085/2086 PSB 2186 PSB 21381/21382/21383/21384 PEB3086	8487, 8489 8487, 8489 8485 8485
YAMAHA YM7405B	8487, 8489

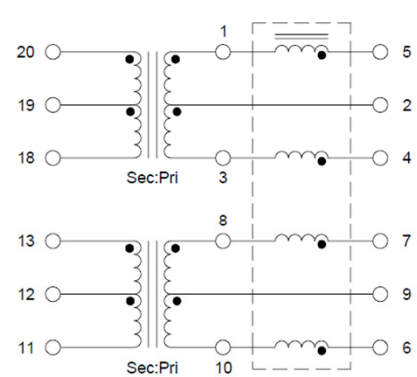


MECHANICAL AND SCHEMATIC (All dimensions in inches)

SUGGESTED PAD LAYOUT



SCHEMATIC



UNLESS OTHERWISE SPECIFIED, ALL TOLERANCES ARE ±0.015

ELECTRICAL SPECIFICATIONS @ 25°C

Part Number	Transformer							Choke		Secondary Pins
	Ratio ±2% (Pri:Sec)	L Pri (mH MIN)	LL Sec (µH MAX)	Cw/w (pF MAX)	CD Pri (pF MAX)	DCR Pri (Ω +25% MAX)	DCR Sec (Ω +25% MAX)	L	DCR (Ω MAX)	
8485	1CT:1CT	30	10	150	100	3.4	3.4	4.7 mH	1.4	20-18, 13-11
8486	1CT:2.5CT	30	10	150	100	3.4	7.0	470 µH	1.4	20-18, 13-11
8487	1CT:2CT	30	10	150	100	3.4	5.4	470 µH	1.4	20-18, 13-11
8488	1CT:2.5CT	30	10	150	100	3.4	7.0	4.7 mH	1.4	20-18, 13-11
8489	1CT:2CT	30	10	150	100	3.4	5.4	4.7 mH	1.4	20-18, 13-11