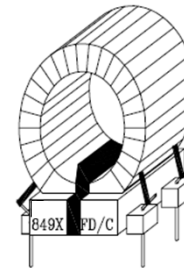


CHOKE

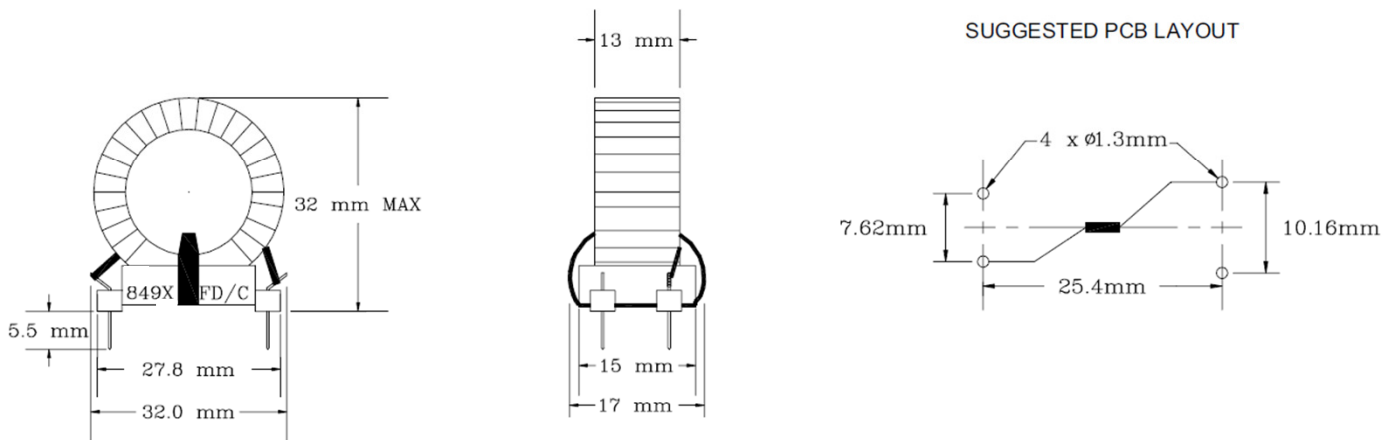
Differential Mode Suppression Chokes

8490-8496

- For AC and DC applications up to 250V AC line voltage and frequency from DC to 400 Hz
- Maximum temperature rise of 30°C at full load
- Operating temperature -25°C to 105°C



MECHANICAL AND PCB LAYOUT (All dimensions in millimeters)



ELECTRICAL SPECIFICATION @ 25°C

Part Number	Current (Amps)	Inductance (mH)	Resistance (mΩ)
8490	8.0	0.085	25
8491	6.0	0.120	40
8492	4.0	0.210	100
8493	3.0	0.260	140
8494	2.0	0.500	370
8495	1.0	1.170	1470
8496	0.5	2.150	3850

NOTE: Ambient Temperature 45°C @ rated current