

# CHOKE

## Power Chokes

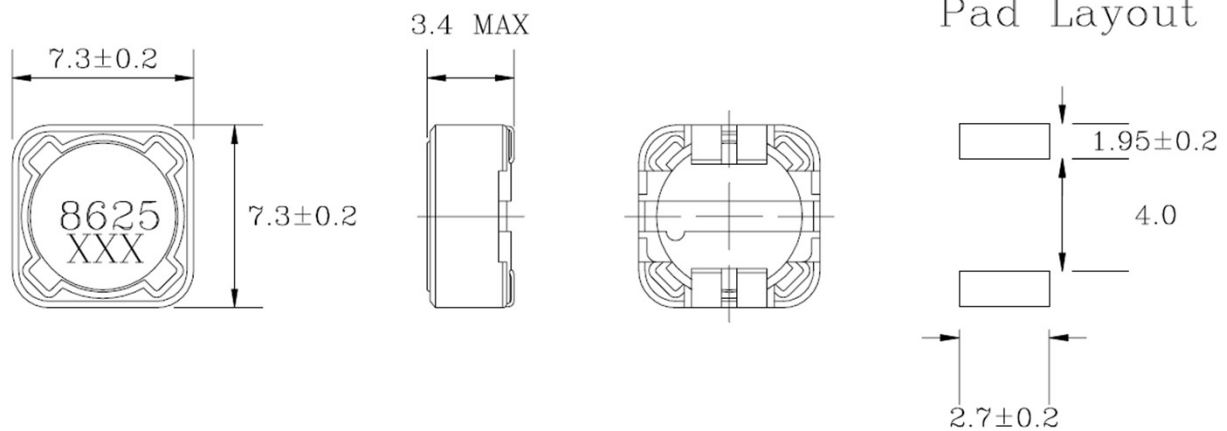
### 8625-XXX

The 8625 series of SMD chokes is designed to cover an inductance range from 10 $\mu$ H to 1000 $\mu$ H with rated saturation currents from 0.16A to 1.68A. These are ideally suited for applications where shielding is required.

- DC/DC converters
- LCD displays
- PDA Palm Tops
- Telecommunication equipment etc.



#### Mechanical (All dimensions in millimeters)



#### ELECTRICAL SPECIFICATION @ 25°C

Part Number	Inductance ( $\mu$ H)	DCR ( $\Omega$ MAX)	Rated DC Current (A)
8625-10B	10	0.08	1.68
8625-12B	12	0.11	1.52
8625-15B	15	0.13	1.33
8625-18B	18	0.15	1.20
8625-22B	22	0.20	1.07
8625-27B	27	0.22	0.96
8625-33B	33	0.25	0.91
8625-39B	39	0.34	0.77
8625-47B	47	0.39	0.76
8625-56B	56	0.50	0.68
8625-68B	68	0.55	0.61
8625-82B	82	0.74	0.57

Part Number	Inductance ( $\mu$ H)	DCR ( $\Omega$ MAX)	Rated DC Current (A)
8625-10C	100	0.84	0.50
8625-12C	120	0.96	0.49
8625-15C	150	1.42	0.43
8625-18C	180	1.62	0.39
8625-22C	220	1.84	0.35
8625-27C	270	2.59	0.32
8625-33C	330	2.93	0.20
8625-39C	390	3.29	0.26
8625-47C	470	4.67	0.24
8625-56C	560	5.22	0.22
8625-68C	680	6.47	0.19
8625-82C	820	7.31	0.18
8625-10D	1000	10.57	0.16