

# CHOKE

## Power Chokes

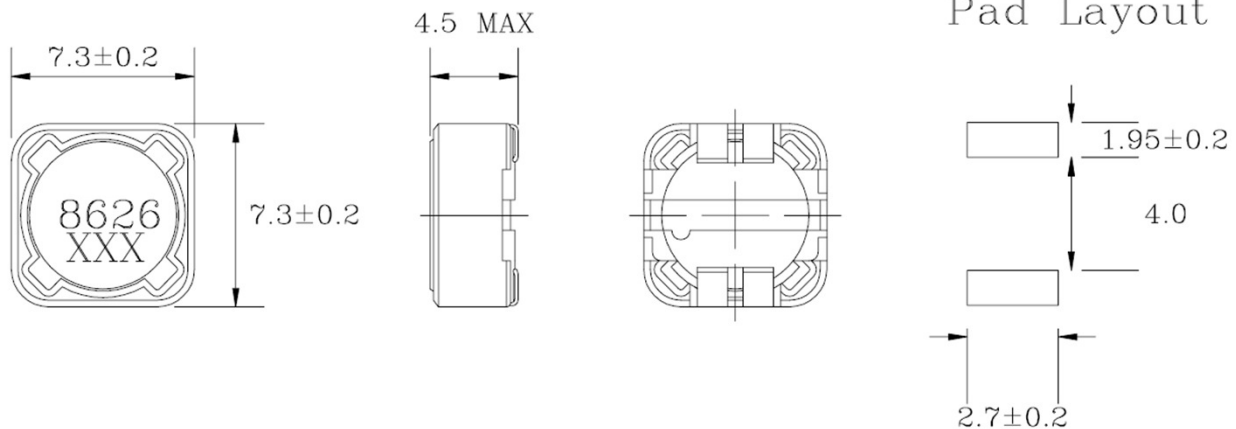
### 8626-XXX

The 8626 series of SMD chokes is designed to cover an inductance range from 10 $\mu$ H to 1000 $\mu$ H with rated saturation currents from 0.18A to 1.84A. These are ideally suited for applications where shielding is required.

- DC/DC converters
- LCD displays
- PDA Palm Tops
- Telecommunication equipment etc.



#### Mechanical (All dimensions in millimeters)



#### ELECTRICAL SPECIFICATION @ 25°C

Part Number	Inductance ( $\mu$ H)	DCR ( $\Omega$ MAX)	Rated DC Current (A)
8626-10B	10	49m	1.84
8626-12B	12	58m	1.71
8626-15B	15	81m	1.47
8626-18B	18	91m	1.31
8626-22B	22	0.11	1.23
8626-27B	27	0.15	1.12
8626-33B	33	0.17	0.96
8626-39B	39	0.23	0.91
8626-47B	47	0.26	0.88
8626-56B	56	0.35	0.75
8626-68B	68	0.38	0.69
8626-82B	82	0.43	0.61

Part Number	Inductance ( $\mu$ H)	DCR ( $\Omega$ MAX)	Rated DC Current (A)
8626-10C	100	0.61	0.60
8626-12C	120	0.66	0.52
8626-15C	150	0.88	0.46
8626-18C	180	0.98	0.42
8626-22C	220	1.17	0.36
8626-27C	270	1.64	0.34
8626-33C	330	1.86	0.32
8626-39C	390	2.85	0.29
8626-47C	470	3.01	0.26
8626-56C	560	3.62	0.23
8626-68C	680	4.63	0.22
8626-82C	820	5.20	0.20
8626-10D	1000	6.00	0.18