

CHOKE

Power Chokes

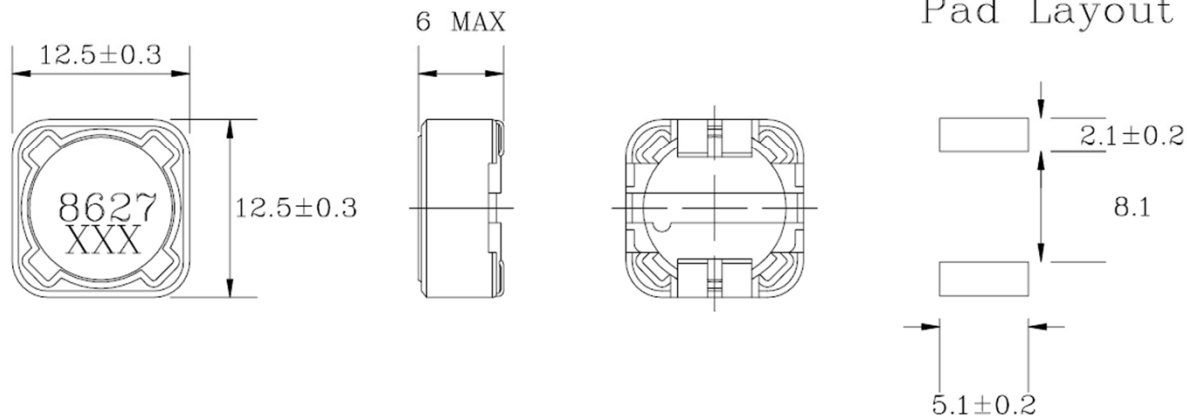
8627-XXX

The 8627 series of SMD chokes is designed to cover an inductance range from 10µH to 1000µH with rated saturation currents from 0.40A to 4.00A. These are ideally suited for applications where shielding is required.

- DC/DC converters
- LCD displays
- PDA Palm Tops
- Telecommunication equipment etc.



Mechanical (All dimensions in millimeters)



ELECTRICAL SPECIFICATION @ 25°C

Part Number	Inductance (µH)	DCR (Ω MAX)	Rated DC Current (A)
8627-10B	10	25m	4.00
8627-12B	12	27m	3.50
8627-15B	15	30m	3.30
8627-18B	18	34m	3.00
8627-22B	22	36m	2.80
8627-27B	27	51m	2.30
8627-33B	33	57m	2.10
8627-39B	39	68m	2.00
8627-47B	47	75m	1.80
8627-56B	56	0.11	1.70
8627-68B	68	0.12	1.50
8627-82B	82	0.14	1.40

Part Number	Inductance (µH)	DCR (Ω MAX)	Rated DC Current (A)
8627-10C	100	0.16	1.30
8627-12C	120	0.17	1.10
8627-15C	150	0.23	1.00
8627-18C	180	0.29	0.90
8627-22C	220	0.40	0.80
8627-27C	270	0.46	0.75
8627-33C	330	0.51	0.68
8627-39C	390	0.69	0.65
8627-47C	470	0.77	0.58
8627-56C	560	0.86	0.54
8627-68C	680	1.20	0.48
8627-82C	820	1.34	0.43
8627-10D	1000	1.53	0.40