

CHOKES

Power Chokes

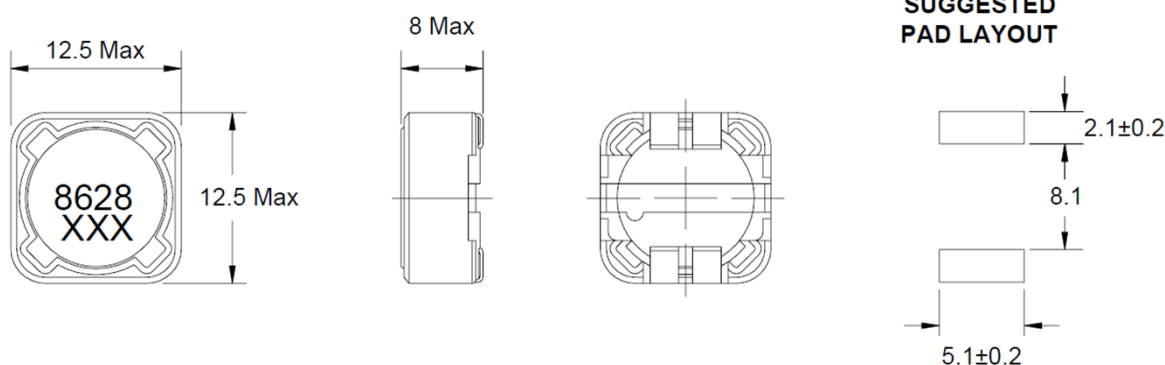
8628-XXX

The 8628 series of SMD chokes is designed to cover an inductance range from 1.20 μH to 470 μH with rated saturation currents from 2.50A to 9.80A. These are ideally suited for applications where shielding is required.

- DC/DC converters
- LCD displays
- PDA Palm Tops
- Telecommunication equipment etc.



MECHANICAL (All dimensions in millimetres)



ELECTRICAL SPECIFICATIONS @ 25°C

Part Number	Inductance (μH)	DCR (Ω Typ)	Rated DC Current (A)
8628-12A	1.2	3.5m	9.80
8628-24A	2.4	11.5m	8.00
8628-35A	3.5	1.35m	7.50
8628-47A	4.7	15.8m	6.80
8628-61A	6.1	17.6m	6.60
8628-76A	7.6	20.0m	5.90
8628-10B	10	21.6m	5.40
8628-12B	12	24.3m	4.90
8628-15B	15	27.0m	4.50
8628-18B	18	39.2m	3.90
8628-22B	22	43.2m	3.60
8628-27B	27	45.9m	3.40
8628-33B	33	64.8m	3.00

Part Number	Inductance (μH)	DCR (Ω Typ)	Rated DC Current (A)
8628-39B	39	55m	2.75
8628-47B	47	0.10	2.50
8628-56B	56	0.80	
8628-68B	68	0.76	
8628-82B	82	0.66	
8628-10C	100	0.61	
8628-12C	120	0.56	
8628-15C	150	0.49	
8628-18C	180	0.45	
8628-22C	220	0.43	
8628-27C	270	0.37	
8628-33C	330	0.698	
8628-39C	390	0.762	
8628-47C	470	1.033	

Notes :

- a) Inductance shown is measured at 0A, 100 kHz, 0.1V. Inductance tolerance is +/-20%.
b) Rated DC current is the current at which inductance drop from the 0A value is 25% maximum (typically 10%).