

# High Current AC Single Line Pi Series



**RoHS**  
COMPLIANT

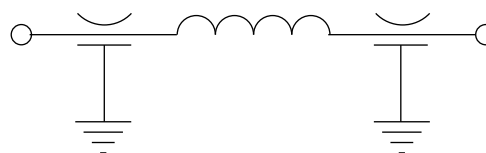
## Features

- Voltage rating of 250VAC
- Pi configuration with Class Y2 capacitors
- Current rating up to 300 Amps
- Excellent filtering in compact package
- Bolt-in style with D-shaped bushing for easy installation
- Low cost EMI solution
- Design flexibility
- UL and Semko approvals pending

## Applications

- Telecommunications (cellular base stations, telephone switching racks, etc.)
- Power supplies
- Medical equipment
- C.O.T.S. (Commercial-Off-The-Shelf) Military
- Industrial equipment controls
- Data transmission equipment

## Circuit Diagram

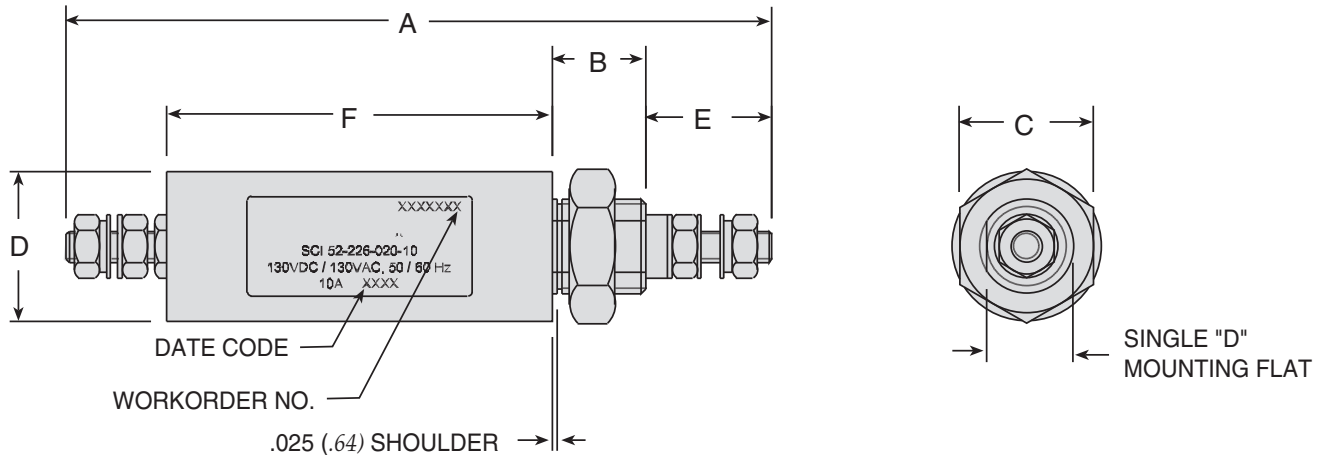


## Specifications

Part Number	Rated Current	Min. Cap. (2X)	Minimum Insertion Loss (db) *								
			.01MHz	.10MHz	1MHz	10MHz	100MHz	1000MHz			
<b>Standard Performance</b>											
52F226-037-10	10A	4.7nF	-	-	4	19	77	90			
52F226-037-16	16A	10nF		1	8	22	50				
52F226-037-32	32A			4	21	52	80				
52F226-037-63	63A	47nF	1	8	25	73	90				
52F226-037-100	100A	100nF		9	26	75					
52F226-037-200	200A			1	21	57			85		
52F226-037-250	250A										
52F226-037-300	300A										
<b>High Performance</b>											
52F226-019-10	10A	10nF	-	1	9	30	80	90			
52F226-019-16	16A	22nF		3	15	47					
52F226-019-32	32A			12	27	75					
52F226-019-63	63A	150nF	4	21	39	85	90				
52F226-019-100	100A	470nF			1				12	27	75
52F226-019-200	200A										
52F226-019-250	250A										
52F226-019-300	300A										

\* Optimum performance with proper installation

# High Current AC Single Line Pi Series



## Dimensions

Part Number	A	B	C	D	E	F		
<b>Standard Performance</b>								
52F226-037-10	3.86 (98)	0.47 (12)	0.67 (17)	0.75 (19.05)	0.63 (16)	2.24 (57)		
52F226-037-16	4.17 (106)				0.71 (18)	2.40 (61)		
52F226-037-32					1.02 (26)	3.7 (94)		
52F226-037-63	6.30 (160)	0.55 (14)	0.87 (22)	1 (25.40)	1.26 (32)	4.09 (104)		
52F226-037-100	7.24 (184)	0.63 (16)	1.06 (27)	1.25 (31.75)	1.57 (40)	4.41 (112)		
52F226-037-200	8.23 (209)	0.75 (19)			1.57 (40)	1.5 (38.10)	1.81 (46)	3.66 (93)
52F226-037-250	7.87 (200)		1.57 (40)	1.5 (38.10)			1.81 (46)	3.66 (93)
52F226-037-300								
<b>High Performance</b>								
52F226-019-10	4.21 (107)	0.47 (12)	0.67 (17)	0.75 (19.05)	0.63 (16)	2.6 (66)		
52F226-019-16	4.57 (116)	0.55 (14)	0.87 (22)	1 (25.40)	0.71 (18)	2.72 (69)		
52F226-019-32								
52F226-019-63	6.81 (173)	0.63 (16)	1.06 (27)	1.25 (31.75)	1.02 (26)	4.13 (105)		
52F226-019-100	8.98 (228)	0.75 (19)					1.57 (40)	2 (50.80)
52F226-019-200	9.57 (243)							
52F226-019-250	10.5 (267)							
52F226-019-300								

Dimensions in inches (mm)