

High Current DC Single Line Feedthrough Series



Features

- Voltage rating of 130VDC
- C configuration with Class Y4 capacitors
- Current rating up to 300 Amps
- Operating temperature range: -40°C to +85°C
- Excellent filtering in compact package
- Bolt-in style with D-shaped bushing for easy installation
- Low cost EMI solution
- Design flexibility
- UL and Semko approved

Applications

- Telecommunications (cellular base stations, telephone switching racks, etc.)
- Power supplies
- Medical equipment
- C.O.T.S. (Commercial-Off-The-Shelf) Military
- Industrial equipment controls
- Data transmission equipment

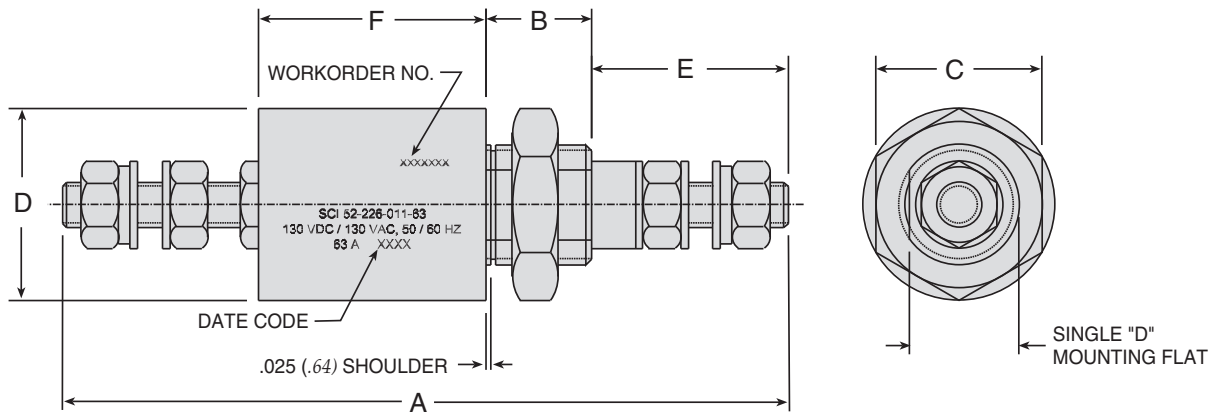
RoHS
COMPLIANT

Specifications

Part Number	Rated Current	Min. Cap.	Minimum Insertion Loss (db)*							
			.01MHz	.10MHz	1MHz	10MHz	100MHz	1000MHz		
52F226-011-10	10A	10nF	-	-	4	21	41	60		
52F226-011-16	16A									
52F226-011-32	32A									
52F226-011-63	63A									
52F226-011-100	100A	47nF		2	15	34	53	74		
52F226-011-200	200A	100nF		-	5	21	40	60	85	
52F226-011-250	250A									
52F226-011-300	300A									
52F226-021-16	16A									
52F226-021-32	32A	47nF			2	15	34	53	74	
52F226-021-63	63A	100nF	-		5	21	40	60	85	
52F226-021-100	100A									
52F226-021-200	200A									
52F226-021-250	250A									
52F226-021-300	300A	470nF			2	16	33	52	75	90
52F226-031-16	16A	100nF		-	5	21	40	60	85	
52F226-031-32	32A									
52F226-031-63	63A									
52F226-031-100	100A									
52F226-031-200	200A	1000nF			-	6	20	40	60	85
52F226-031-250	250A									
52F226-031-300	300A									
52F226-041-16	16A									
52F226-041-32	32A	470nF	2			16	33	52	75	90
52F226-041-63	63A									
52F226-041-100	100A									
52F226-041-200	200A									
52F226-041-100	100A	1000nF	6	20		40	60	85	90	
52F226-041-200	200A	4700nF	15	35		54	74	90		

* Optimum performance with proper installation

High Current DC Single Line Feed-through Series



Dimensions

Part Number	A	B	C	D	E	F
52F226-011-10	2.24 (57)	0.39 (10)	0.51 (13)	0.56 (14.29)	0.63 (16)	0.71 (18)
52F226-011-16	2.48 (63)	0.47 (12)	0.67 (17)	0.75 (19.05)	0.71 (18)	
52F226-011-32						
52F226-011-63	3.78 (96)	0.55 (14)	0.87 (22)	1 (25.40)	1.02 (26)	1.18 (30)
52F226-011-100	4.45 (113)	0.63 (16)	1.06 (27)	1.25 (31.75)	1.26 (32)	1.30 (33)
52F226-011-200	5.12 (130)	0.75 (19)			1.57 (40)	
52F226-011-250	5.83 (148)		1.57 (40)	2 (50.80)		
52F226-011-300						
52F226-021-16	2.95 (75)	0.47 (12)	0.67 (17)	0.75 (19.05)	0.71 (18)	1.18 (30)
52F226-021-32						
52F226-021-63	3.78 (96)	0.55 (14)	0.87 (22)	1 (25.40)	1.02 (26)	
52F226-021-100	4.45 (113)	0.63 (16)	1.06 (27)	1.25 (31.75)	1.26 (32)	1.30 (33)
52F226-021-200	5.12 (130)	0.75 (19)			1.57 (40)	
52F226-021-250	6.30 (160)		1.57 (40)	2 (50.80)		
52F226-021-300						
52F226-031-16	2.95 (75)	0.47 (12)	0.67 (17)	0.75 (19.05)	0.71 (18)	1.18 (30)
52F226-031-32						
52F226-031-63	3.78 (96)	0.55 (14)	0.87 (22)	1 (25.40)	1.02 (26)	
52F226-031-100	4.45 (113)	0.63 (16)	1.06 (27)	1.25 (31.75)	1.26 (32)	1.30 (33)
52F226-031-200	5.79 (147)	0.75 (19)			1.57 (40)	
52F226-031-250	7.01 (178)		1.57 (40)	2 (50.80)		
52F226-031-300						
52F226-041-16	3.23 (82)	0.63 (16)	1.06 (27)	1.25 (31.75)	0.71 (18)	1.30 (33)
52F226-041-32						
52F226-041-63	3.98 (101)	0.75 (19)	1.57 (40)	1.5 (38.10)	1.02 (26)	
52F226-041-100	5.24 (133)				1.26 (32)	1.97 (50)
52F226-041-200	6.50 (165)	1.57 (40)	2 (50.80)	1.57 (40)	1.26 (32)	2.68 (68)

Dimensions in inches (mm)

High Current DC Single Line Pi Series



RoHS
COMPLIANT

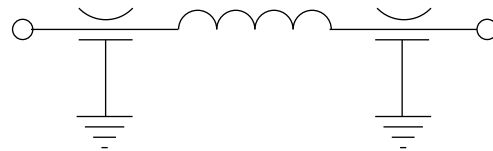
Features

- Voltage rating of 130VDC
- Pi configuration with Class Y4 capacitors
- Current rating up to 200 Amps
- Excellent filtering in compact package
- Bolt-in style with D-shaped bushing for easy installation
- Low cost EMI solution
- UL and Semko approved

Applications

- Telecommunications (cellular base stations, telephone switching racks, etc.)
- Power supplies
- Medical equipment
- C.O.T.S. (Commercial-Off-The-Shelf) Military
- Industrial equipment controls
- Data transmission equipment

Circuit Diagram

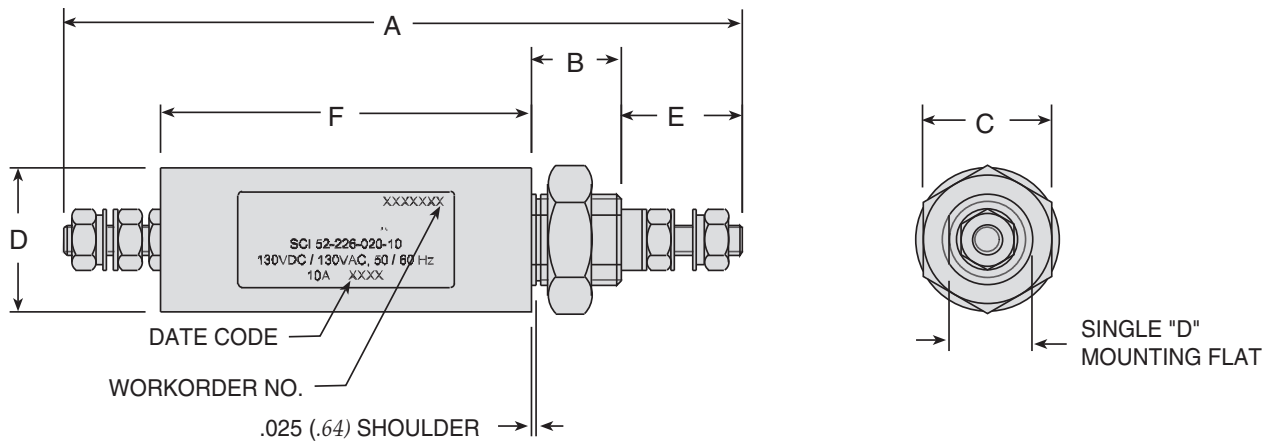


Specifications

Part Number	Rated Current	Min. Cap. (2X)	Minimum Insertion Loss (db) *					
			.01MHz	.10MHz	1MHz	10MHz	100MHz	1000MHz
Standard Performance								
52F226-020-10	10A	10nF	-	0.5	8	23	70	90
52F226-020-16	16A			35				
52F226-020-32	32A			2	10	23		
52F226-020-63	63A	100nF	8	27	67	90		
52F226-020-100	100A	470nF	4	21	30		70	
52F226-020-200	200A		7	23	60			
High Performance								
52F226-029-10	10A	100nF	-	8	25	75	90	90
52F226-029-16	16A							
52F226-029-32	32A							
52F226-029-63	63A	470nF	4	21	35	70		
52F226-029-100	100A	1000nF	8	26	57	73		
52F226-029-200	200A	4700nF	20	40	85	90		

* Optimum performance with proper installation

High Current DC Single Line Pi Series



Dimensions

Part Number	A	B	C	D	E	F
Standard Performance						
52F226-020-10	3.54 (90)	0.47 (12)	0.67 (17)	0.75 (19.05)	0.63 (16)	1.93 (49)
52F226-020-16	3.86 (98)				0.71 (18)	2.09 (53)
52F226-020-32					1.02 (26)	3.70 (94)
52F226-020-63	6.30 (160)	0.55 (14)	0.87 (22)	1 (25.40)	1.26 (32)	4.09 (104)
52F226-020-100	7.24 (184)	0.63 (16)	1.06 (27)	1.25 (31.75)	1.57 (40)	4.41 (112)
52F226-020-200	8.23 (209)	0.75 (19)		1.50 (38.10)	1.57 (40)	4.41 (112)
High Performance						
52F226-029-10	5.12 (130)	0.47 (12)	0.67 (17)	0.75 (19.05)	0.63 (16)	3.50 (89)
52F226-029-16	5.47 (139)				0.71 (18)	3.70 (94)
52F226-029-32					1.02 (26)	4.13 (105)
52F226-029-63	6.81 (173)	0.63 (16)	1.06 (27)	1.25 (31.75)	1.26 (32)	5.71 (145)
52F226-029-100	8.98 (228)	0.75 (19)		1.50 (38.10)	1.57 (40)	7.17 (182)
52F226-029-200	11 (279)		1.57 (40)	2 (50.80)	1.57 (40)	7.17 (182)

Dimensions in inches (mm)

High Current AC Single Line Feed-through Series



Features

- Voltage rating of 250VAC
- C configuration with Class Y2 capacitors
- Current rating up to 300 Amps
- Excellent filtering in compact package
- Bolt-in style with D-shaped bushing for easy installation
- Low cost EMI solution
- Design flexibility
- UL and Semko approvals pending

Applications

- Telecommunications (cellular base stations, telephone switching racks, etc.)
- Power supplies
- Medical equipment
- C.O.T.S. (Commercial-Off-The-Shelf) Military
- Industrial equipment controls
- Data transmission equipment

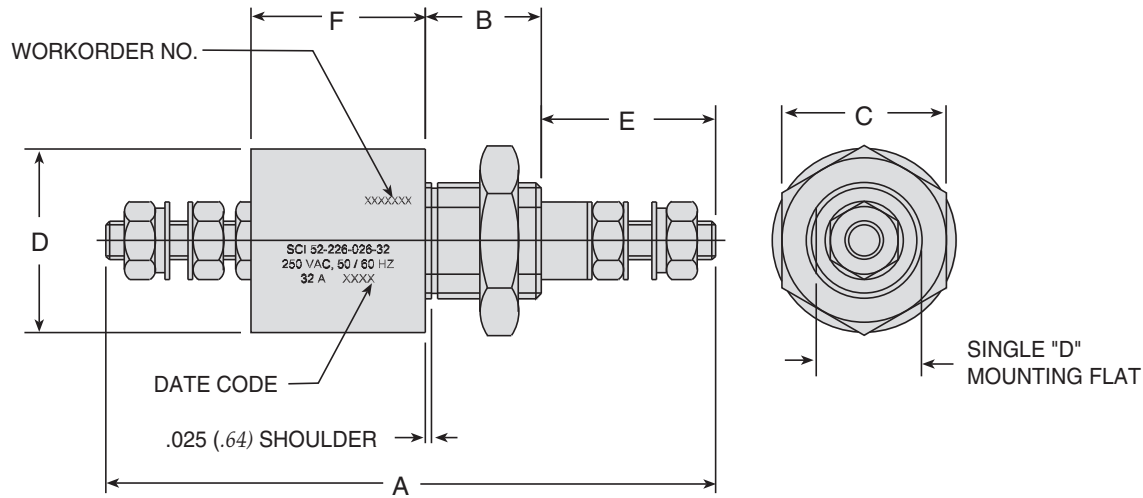
RoHS
COMPLIANT

Specifications

Part Number	Rated Current	Min. Cap.	Minimum Insertion Loss (db) *							
			.01MHz	.10MHz	1MHz	10MHz	100MHz	1000MHz		
52F226-016-10	10A	2.2nF	-	-	-	9	30	45		
52F226-016-16	16A	4.7nF			-	2	15	34	54	
52F226-016-32	32A					4	21	41	60	
52F226-016-63	63A	10nF		2	15	34	53	74		
52F226-016-100	100A	47nF			5	21	40	60	85	
52F226-016-200	200A	100nF				21	40	60	85	
52F226-016-250	250A									
52F226-016-300	300A	300A								
52F226-026-10	10A	4.7nF		-	-	2	15	34	54	
52F226-026-16	16A	10nF				-	4	21	41	60
52F226-026-32	32A		2				15	34	53	74
52F226-026-63	63A	47nF	5		21	40	60	85		
52F226-026-100	100A	100nF			10	27	47	67	90	
52F226-026-200	200A	220nF				27	47	67	90	
52F226-026-250	250A									
52F226-026-300	300A	300A								
52F226-036-16	16A	47nF	-		2	15	34	53	74	
52F226-036-32	32A	33nF				3	16	35	60	90
52F226-036-63	63A	100nF		5			21	40	60	85
52F226-036-100	100A	220nF			10	27	47	67	90	
52F226-036-200	200A	470nF				27	47	67		
52F226-036-250	250A									
52F226-036-300	300A	300A								
52F226-046-16	16A	100nF		2	5	21	40	60	85	
52F226-046-32	32A	47nF				2	15	34	53	74
52F226-046-63	63A	220nF					10	27	47	67
52F226-046-100	100A	470nF	16		33	52		75		
52F226-046-200	200A	1000nF			33	52		75		
52F226-046-250	250A									
52F226-046-300	300A	300A								

* Optimum performance with proper installation

High Current AC Single Line Feed-through Series



Dimensions

Part Number	A	B	C	D	E	F
52F226-016-10	2.24 (57)	0.39 (10)	0.51 (13)	0.56 (14.29)	0.63 (16)	0.71 (18)
52F226-016-16	2.48 (63)	0.47 (12)	0.67 (17)	0.75 (19.05)	0.71 (18)	
52F226-016-32						
52F226-016-63	3.78 (96)	0.55 (14)	0.87 (22)	1 (25.40)	1.02 (26)	1.18 (30)
52F226-016-100	4.45 (113)	0.63 (16)	1.06 (27)	1.25 (31.75)	1.26 (32)	1.30 (33)
52F226-016-200	5.12 (130)	0.75 (19)		1.5 (38.10)	1.57 (40)	
52F226-016-250	5.83 (148)		0.75 (19)	1.57 (40)	2 (50.80)	1.81 (46)
52F226-016-300						
52F226-026-10	2.24 (57)	0.39 (10)	0.51 (13)	0.56 (14.29)	0.63 (16)	0.71 (18)
52F226-026-16	2.48 (63)	0.47 (12)	0.67 (17)	0.75 (19.05)	0.71 (18)	
52F226-026-32						
52F226-026-63	3.78 (96)	0.55 (14)	0.87 (22)	1 (25.40)	1.02 (26)	1.18 (30)
52F226-026-100	4.45 (113)	0.63 (16)	1.06 (27)	1.25 (31.75)	1.26 (32)	1.30 (33)
52F226-026-200	5.12 (130)	0.75 (19)		1.5 (38.10)	1.57 (40)	
52F226-026-250	5.83 (148)		0.75 (19)	1.57 (40)	2 (50.80)	1.81 (46)
52F226-026-300						
52F226-036-16	2.95 (75)	0.47 (12)	0.67 (17)	0.75 (19.05)	0.71 (18)	1.18 (30)
52F226-036-32						
52F226-036-63	3.78 (96)	0.55 (14)	0.87 (22)	1 (25.40)	1.02 (26)	
52F226-036-100	4.57 (116)	0.75 (19)	1.06 (27)	1.5 (38.10)	1.26 (32)	1.30 (33)
52F226-036-200	5.79 (147)				1.57 (40)	
52F226-036-250	6.30 (160)	0.75 (19)	1.57 (40)	2 (50.80)	1.81 (46)	2.13 (54)
52F226-036-300						
52F226-046-16	3.03 (77)	0.55 (14)	0.87 (22)	1 (25.40)	0.71 (18)	1.18 (30)
52F226-046-32	2.95 (75)	0.47 (12)	0.67 (17)			
52F226-046-63	4.45 (113)	0.63 (16)	1.06 (27)	1.25 (31.75)	1.02 (26)	1.30 (33)
52F226-046-100	5.24 (133)	0.75 (19)		1.5 (38.10)	1.26 (32)	
52F226-046-200	5.79 (147)		0.75 (19)	1.57 (40)	2 (50.80)	1.57 (40)
52F226-046-250	6.30 (160)	1.57 (40)				2 (50.80)
52F226-046-300						

Dimensions in inches (mm)

High Current AC Single Line Pi Series



RoHS
COMPLIANT

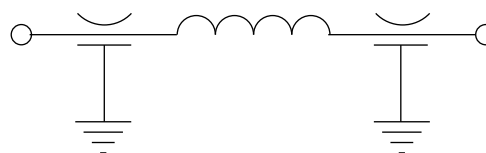
Features

- Voltage rating of 250VAC
- Pi configuration with Class Y2 capacitors
- Current rating up to 300 Amps
- Excellent filtering in compact package
- Bolt-in style with D-shaped bushing for easy installation
- Low cost EMI solution
- Design flexibility
- UL and Semko approvals pending

Applications

- Telecommunications (cellular base stations, telephone switching racks, etc.)
- Power supplies
- Medical equipment
- C.O.T.S. (Commercial-Off-The-Shelf) Military
- Industrial equipment controls
- Data transmission equipment

Circuit Diagram

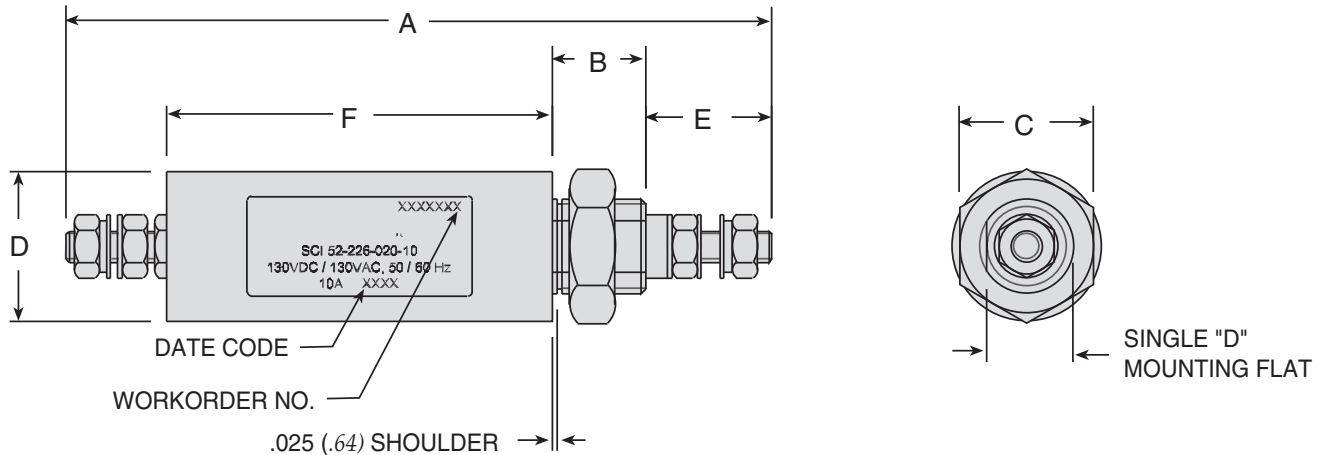


Specifications

Part Number	Rated Current	Min. Cap. (2X)	Minimum Insertion Loss (db) *								
			.01MHz	.10MHz	1MHz	10MHz	100MHz	1000MHz			
Standard Performance											
52F226-037-10	10A	4.7nF	-	-	4	19	77	90			
52F226-037-16	16A	10nF		1	8	22	50				
52F226-037-32	32A			4	21	52	80				
52F226-037-63	63A	47nF	1	8	25	73	90				
52F226-037-100	100A	100nF		9	26	75					
52F226-037-200	200A			4	21	57			85		
52F226-037-250	250A										
52F226-037-300	300A										
High Performance											
52F226-019-10	10A	10nF	-	1	9	30	80	90			
52F226-019-16	16A	22nF		3	15	47					
52F226-019-32	32A			1	12	27			75		
52F226-019-63	63A	150nF	4	21	39	85	90				
52F226-019-100	100A	470nF			4				21	57	85
52F226-019-200	200A										
52F226-019-250	250A										
52F226-019-300	300A										

* Optimum performance with proper installation

High Current AC Single Line Pi Series



Dimensions

Part Number	A	B	C	D	E	F	
Standard Performance							
52F226-037-10	3.86 (98)	0.47 (12)	0.67 (17)	0.75 (19.05)	0.63 (16)	2.24 (57)	
52F226-037-16	4.17 (106)				0.71 (18)	2.40 (61)	
52F226-037-32					1.02 (26)	3.7 (94)	
52F226-037-63	6.30 (160)	0.55 (14)	0.87 (22)	1 (25.40)	1.26 (32)	4.09 (104)	
52F226-037-100	7.24 (184)	0.63 (16)	1.06 (27)	1.25 (31.75)	1.57 (40)	4.41 (112)	
52F226-037-200	8.23 (209)	0.75 (19)			1.57 (40)	1.81 (46)	3.66 (93)
52F226-037-250	7.87 (200)		1.5 (38.10)	1.57 (40)		1.81 (46)	3.66 (93)
52F226-037-300							
High Performance							
52F226-019-10	4.21 (107)	0.47 (12)	0.67 (17)	0.75 (19.05)	0.63 (16)	2.6 (66)	
52F226-019-16	4.57 (116)	0.55 (14)	0.87 (22)	1 (25.40)	0.71 (18)	2.72 (69)	
52F226-019-32							
52F226-019-63	6.81 (173)	0.63 (16)	1.06 (27)	1.25 (31.75)	1.02 (26)	4.13 (105)	
52F226-019-100	8.98 (228)	0.75 (19)		1.57 (40)	1.5 (38.10)	1.26 (32)	5.71 (145)
52F226-019-200	9.57 (243)		1.57 (40)		2 (50.80)	1.57 (40)	6.30 (160)
52F226-019-250	10.5 (267)						
52F226-019-300							

Dimensions in inches (mm)